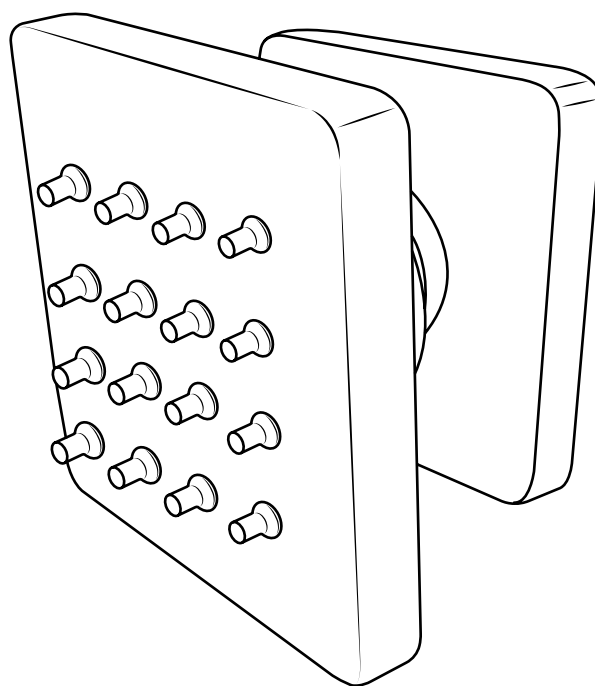


# Milano

Square Body Jet

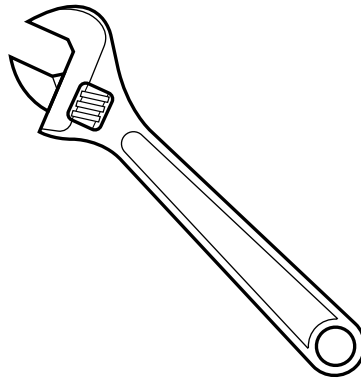
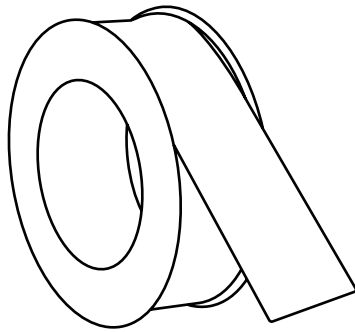
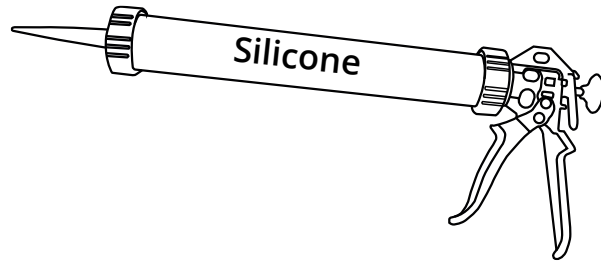


Installation Guide

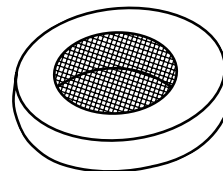
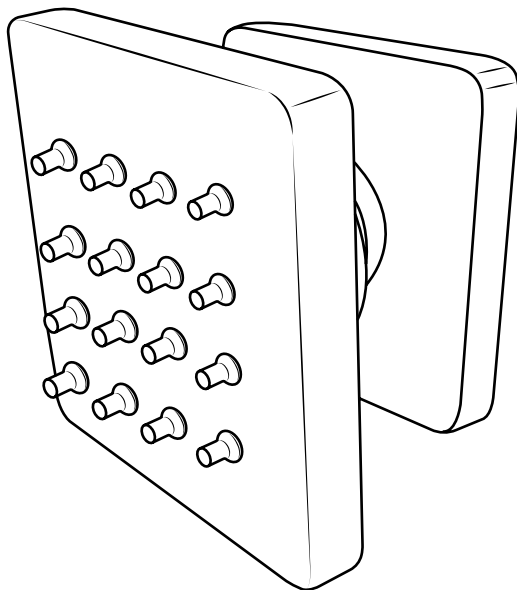
# Installation

---

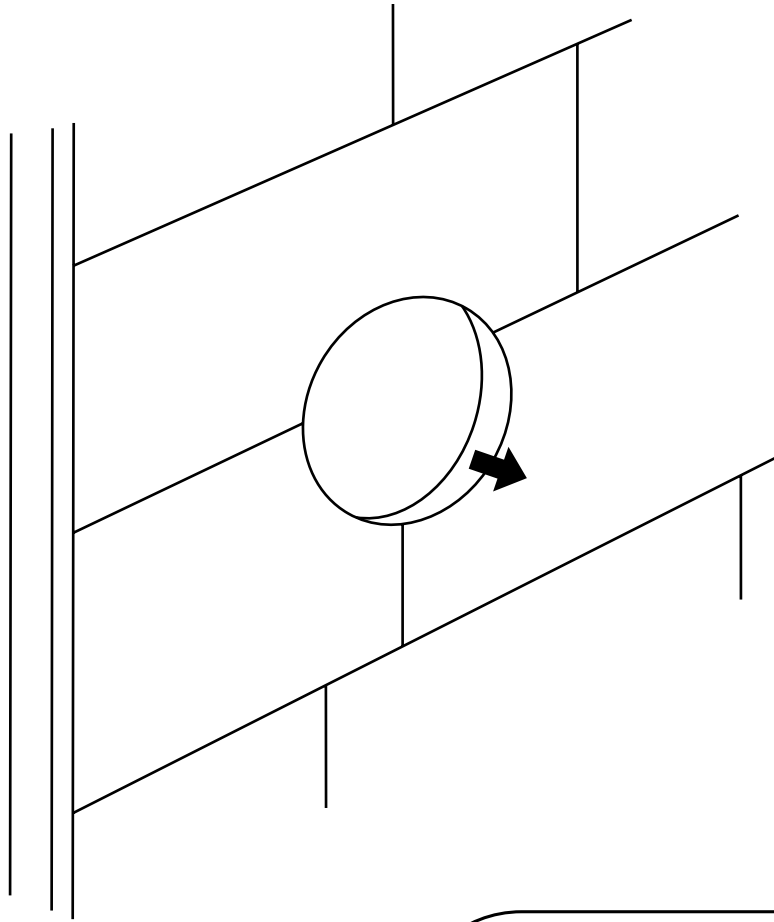
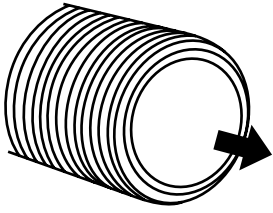
## *Tools required for installing:*



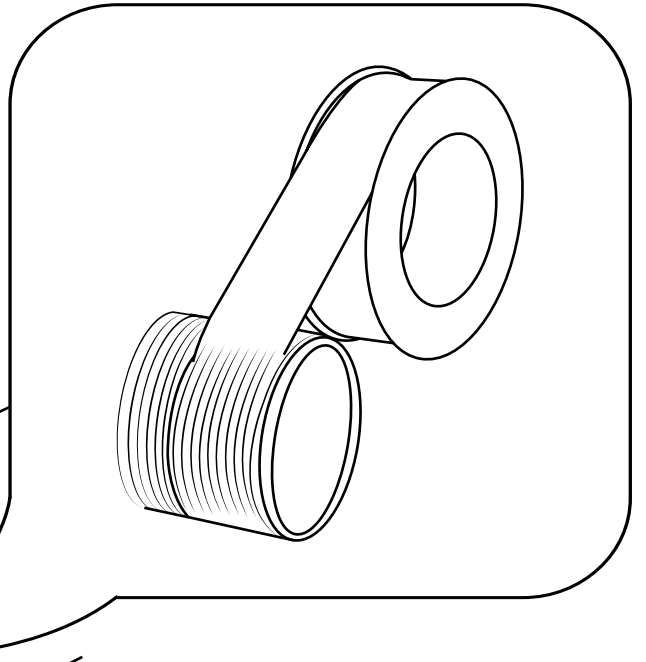
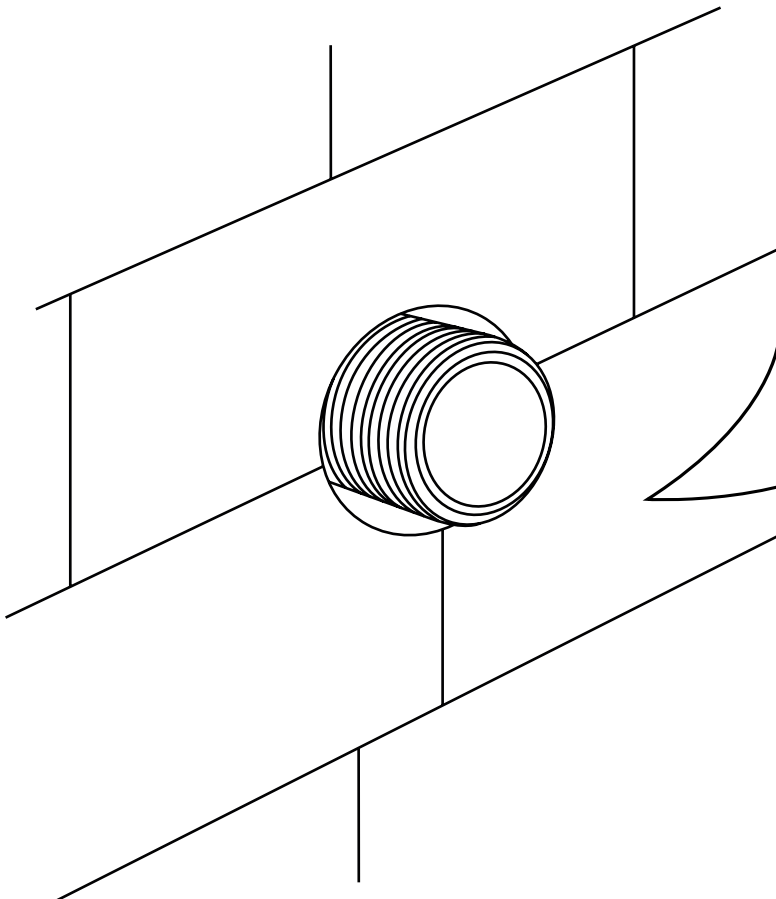
## *Parts included:*



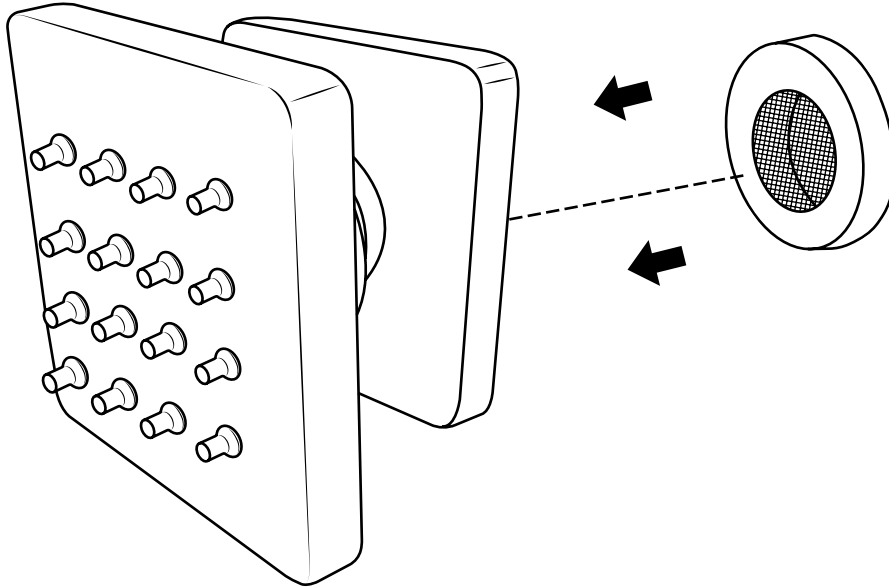
1



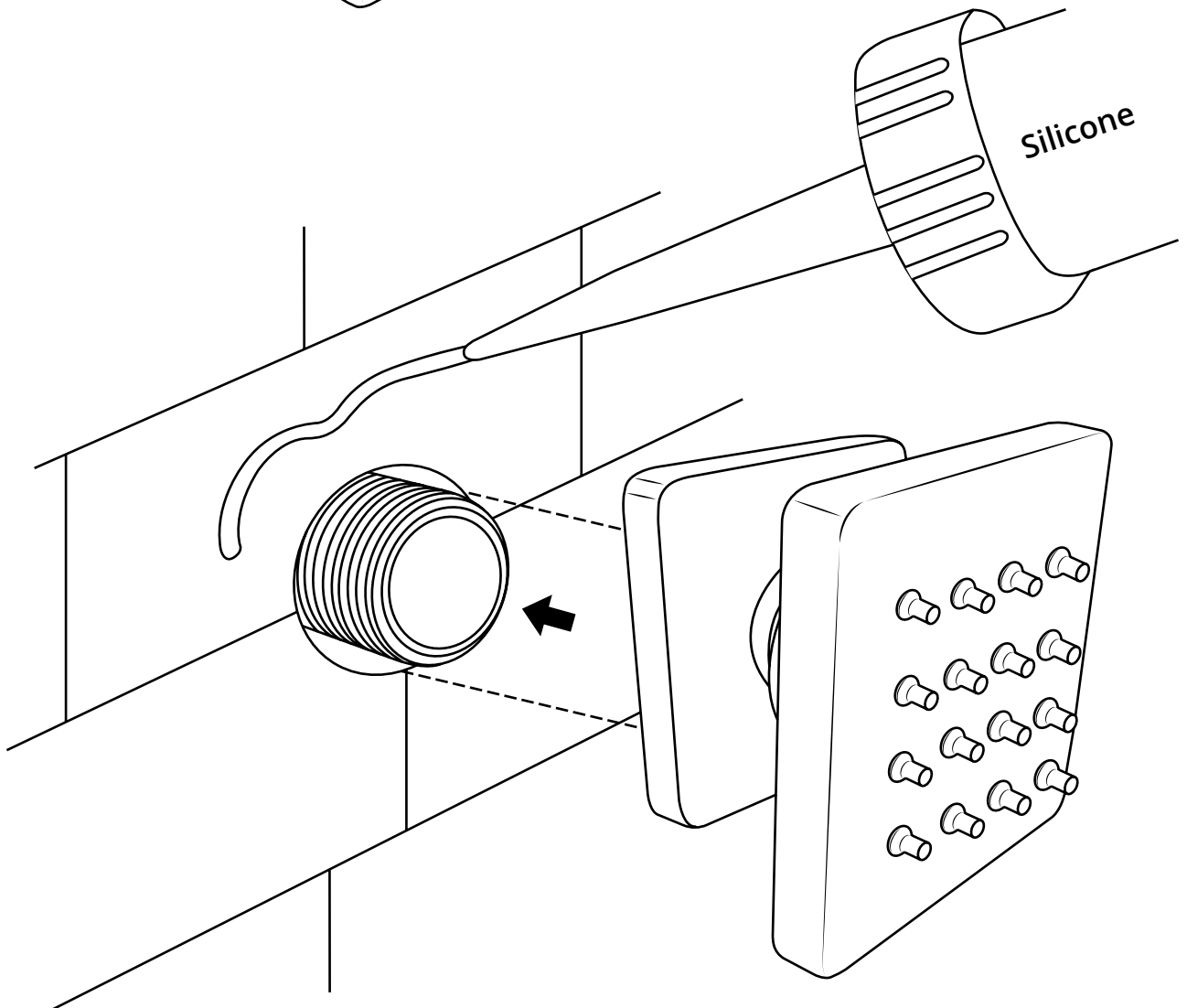
2



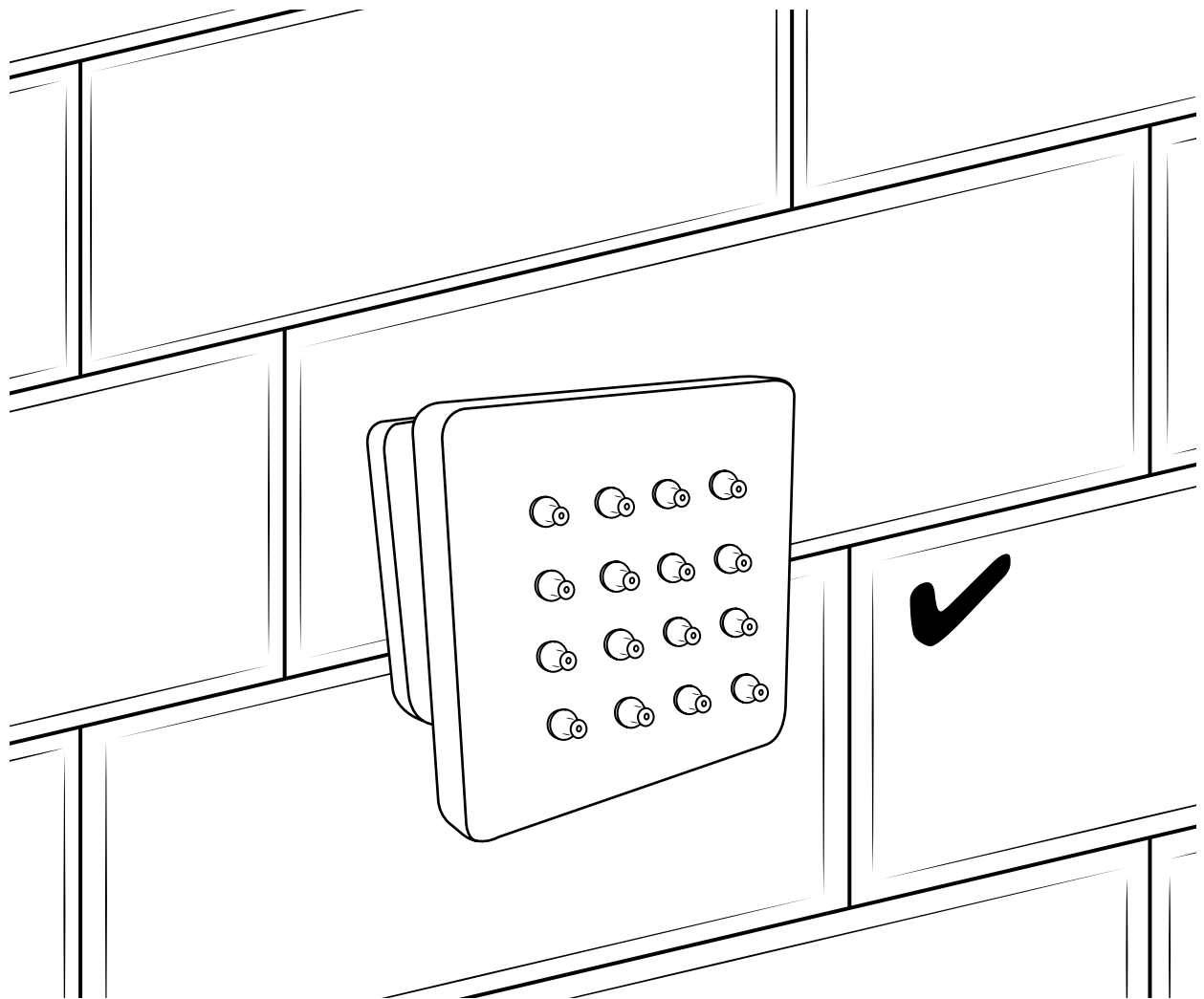
3



4



5



## Installation Example

