

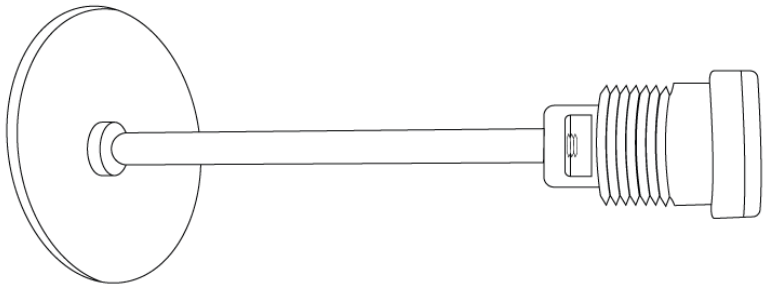
Flow diverter installation

Important Information

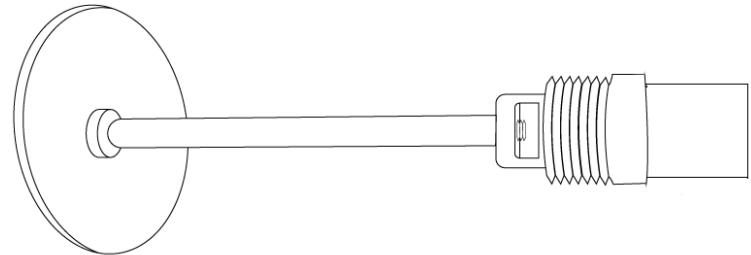
- * We recommend that this procedure is performed by a Plumber or other Suitably qualified person.
- * Avoid inserting the flow diverter into the radiator before you are ready to install, this can damage the hood of the diverter.
- * Not for use with column radiators.
- * Not suitable for use with radiators that have an internal pipe size larger than 36mm.
- * Not for use with column radiators.

PARTS PROVIDED

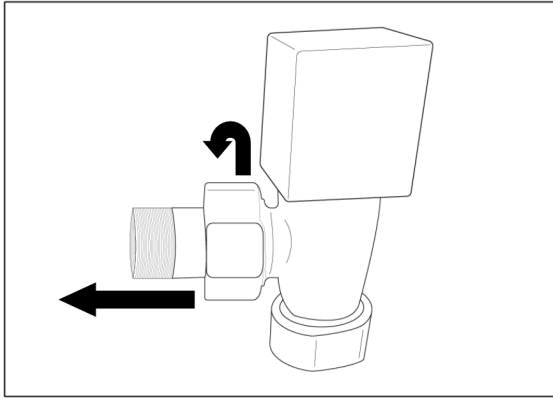
3/4" Radiator valve flow diverter



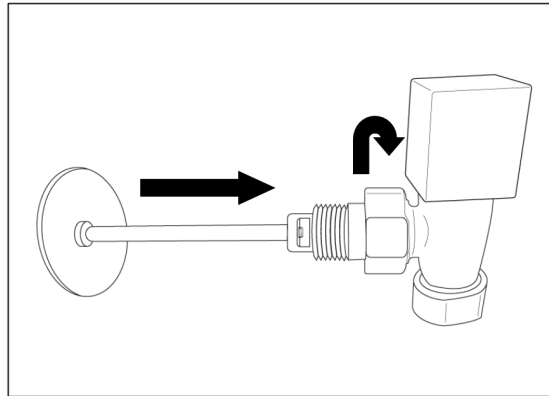
1/2" Spigot flow diverter



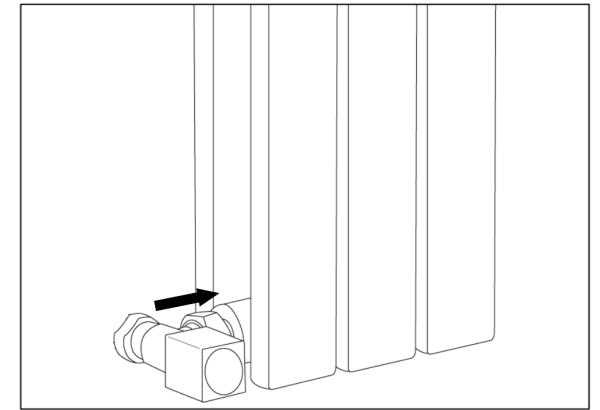
3/4" Radiator valve flow diverter



Unscrew the fixing nut (clockwise) on the radiator valve and remove the provided radiator connecting thread.



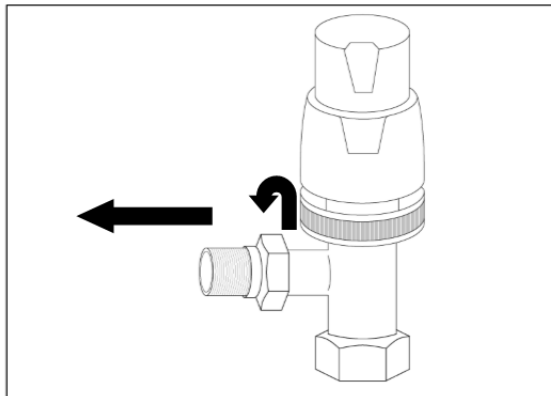
Push the fixing nut over the circular hood of the flow diverter and screw the nut anti-clockwise to secure the diverter in place.



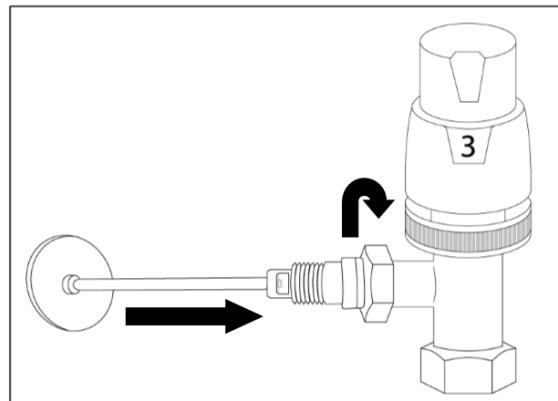
Push the circular end of the flow diverter into the radiator and screw the valve in place as normal.

*Use PTFE tape to ensure a watertight seal.

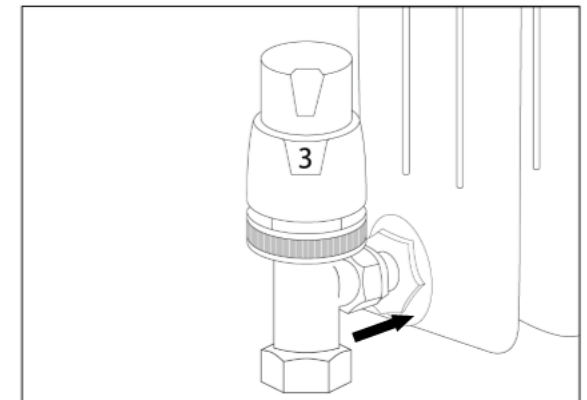
1/2" Spigot flow diverter



Unscrew the Compression nut and olive (clockwise) on the radiator valve and remove the provided radiator connecting spigot.



Push the compression nut and olive over the circular hood of the flow diverter and screw the nut anti-clockwise to secure the diverter in place.



Push the circular end of the flow diverter into the radiator and screw the valve in place as normal.

*Use PTFE tape to ensure a watertight seal.