

Milano

Horizontal fixing brackets

Installation Guide

Contents

Safety Information **Page - 2**

Tools Required **Page - 2**

Parts Supplied **Page - 2**

Installation Page - **3/4**

Warranty Information **Page - 4**

Recycling & Disposal **Page - 4**

Contact us **Page - 4**

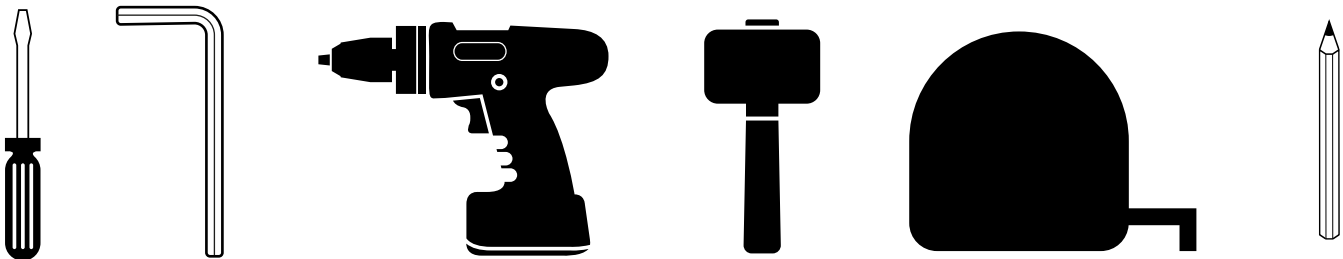
Safety Information

Please read carefully...

- ✓ Check the product for defects before installing.
- ✗ DO NOT attempt to modify this product in any way.
- ✓ If you are unsure how to install this product, please consult a qualified installer or contact us directly.

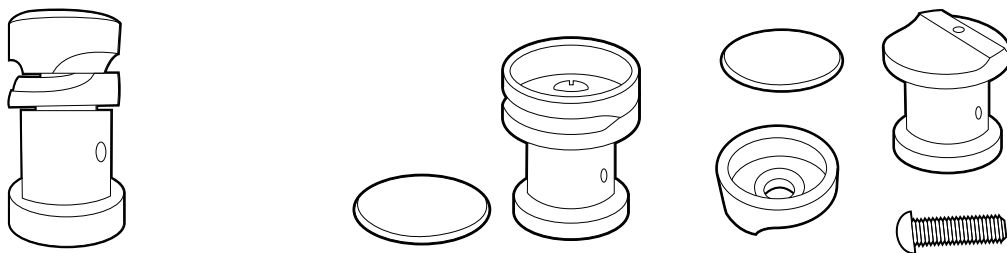
Installation

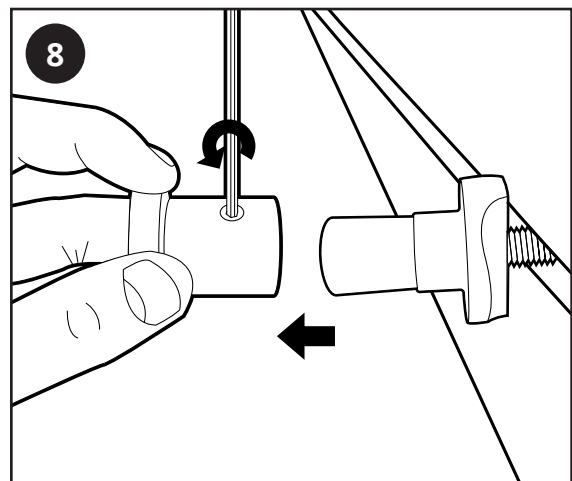
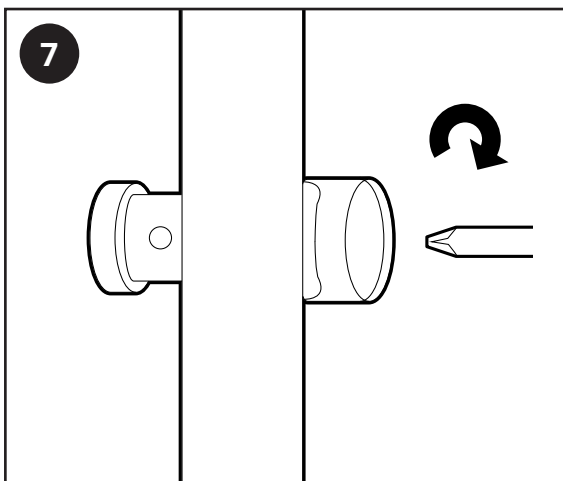
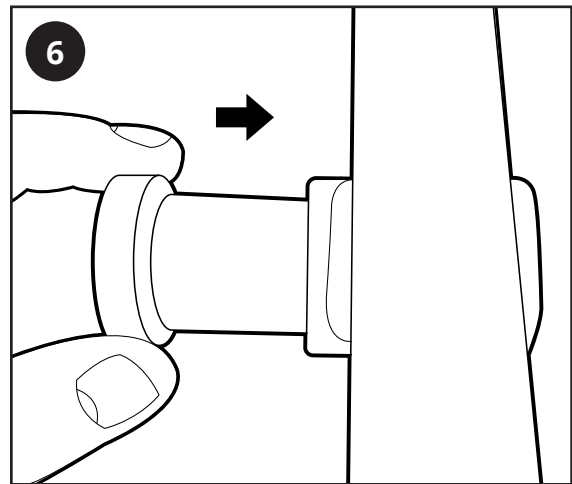
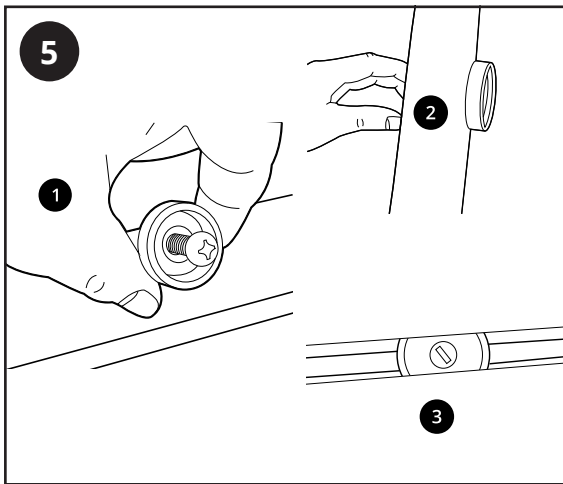
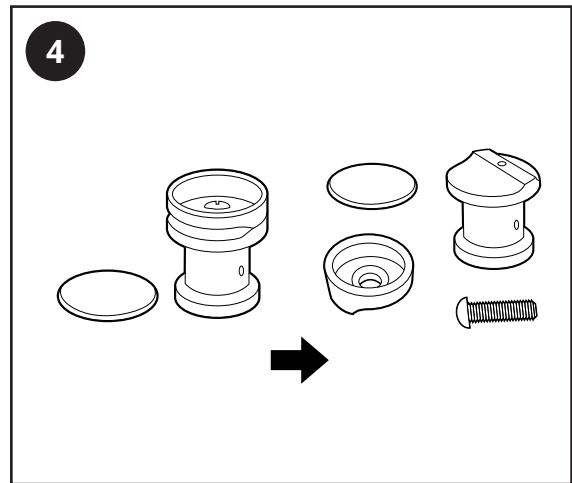
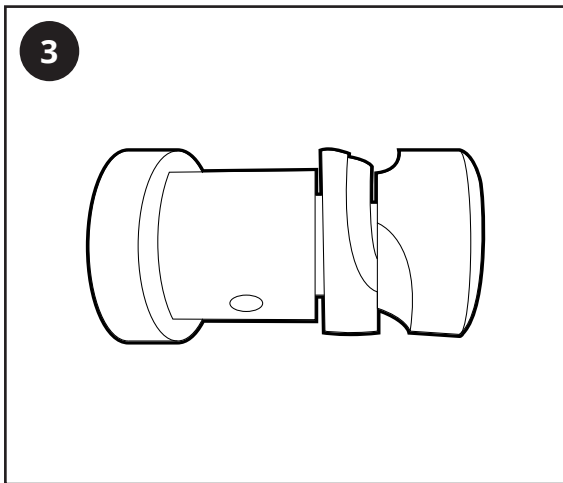
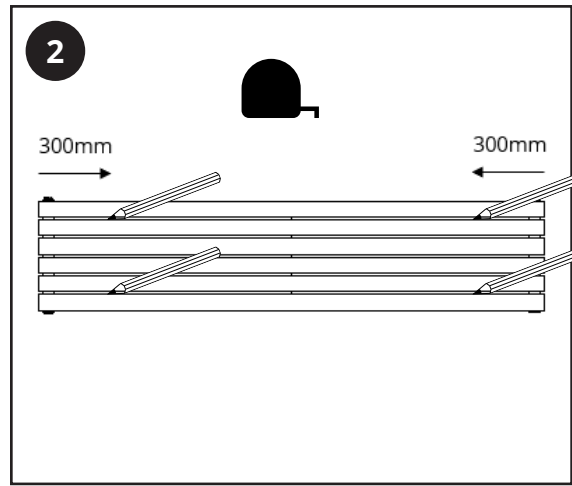
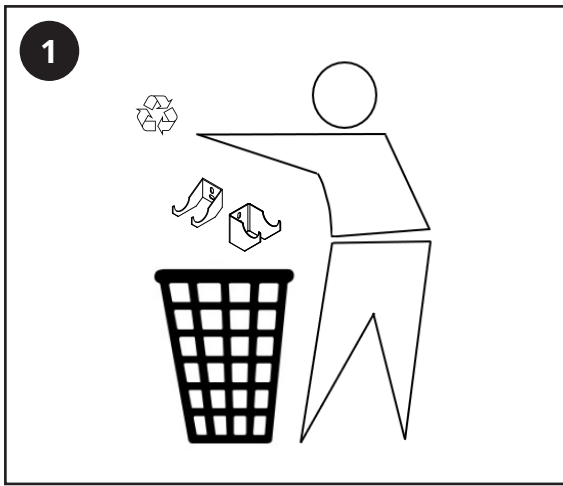
Tools required for installing:

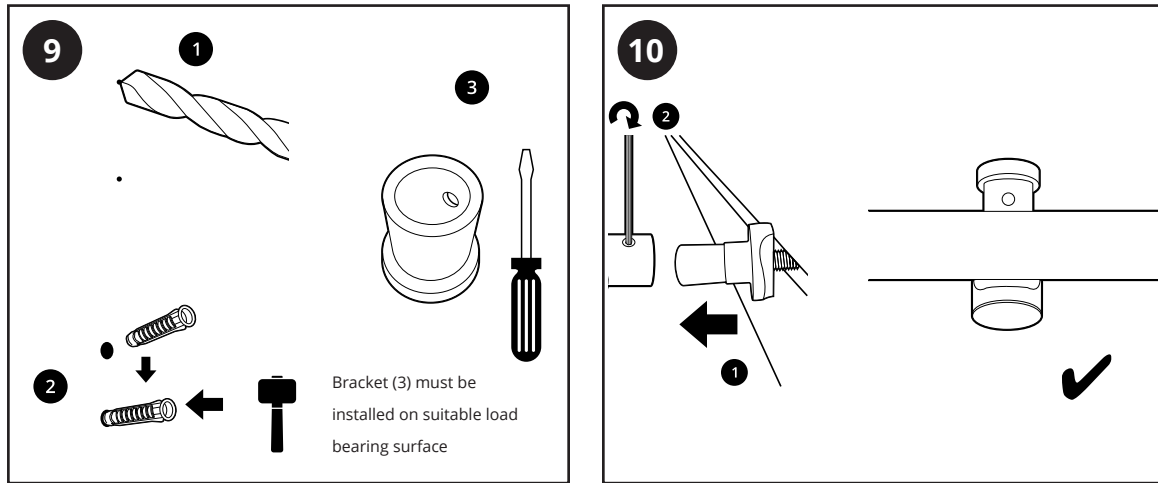


Parts supplied:

3-4 x Horizontal Brackets (number dependant on model).







Warranty Information

- This product is covered by a 2 year guarantee.
- The guarantee starts from the date of purchase.
- The guarantee covers you against issues caused as a result of manufacturing related issues, it does not apply to issues that are found to be a result of poor installation.
- Labour costs for installation of the product are not covered under this warranty.

Aftercare

Clean any marks with a soft dry cloth, for stubborn stains please clean with mild soapy water and buff out with a soft cloth.

DO NOT use abrasive or acidic cleaners, if you are unsure, please contact us first.

Recycling & Disposal

Please recycle / dispose of this product in accordance with your local council / government guidelines.

Contact Us

MILANO LTD

Unit 1&2

Burnley

BB11 5UG