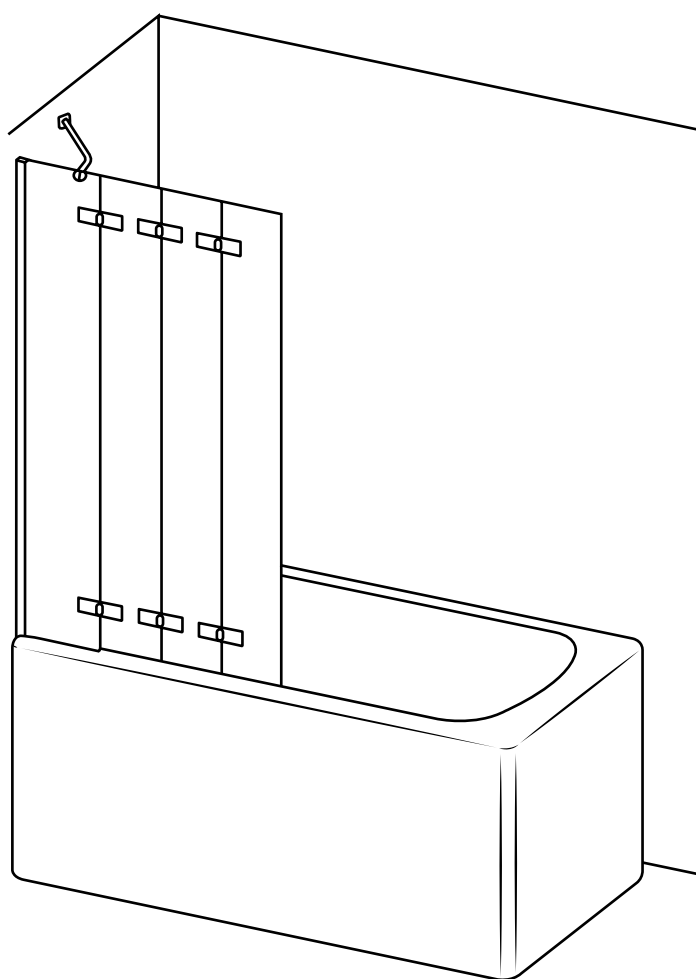


Milano

Bath Screen



ⓘ Style may vary

Installation Guide

IMPORTANT

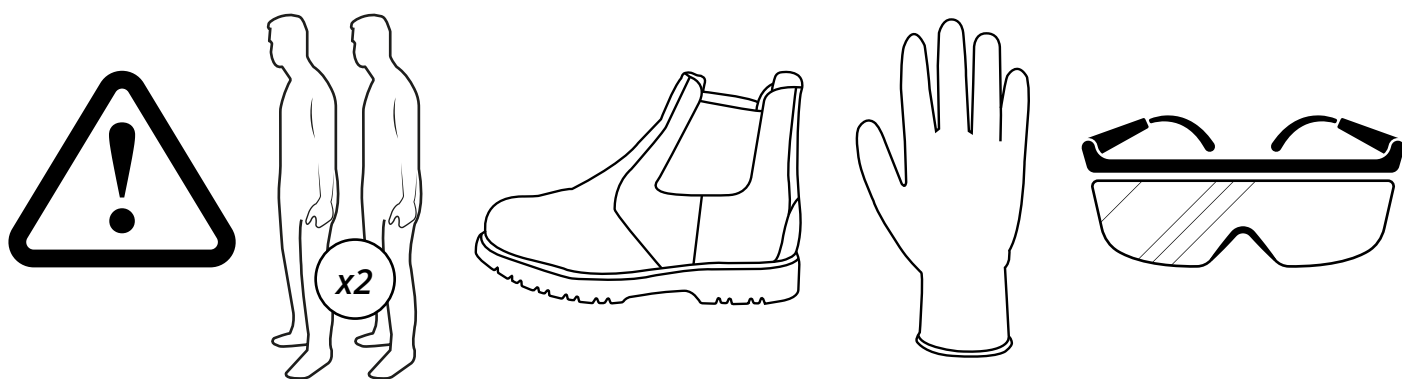


- The toughened glass (EN12150) in our shower enclosures and bath screens is completely safe providing that it is installed with care and according to the guides provided.
- Prior to commencing with installation, please thoroughly check the product to ensure that you have received everything in good order, if you have any concerns regarding your product, its contents or this guide, please contact us so we may assist you. We also recommend you sufficiently cover the surrounding area and fixtures prior to carrying out the installation to protect them from any accidental damage.
- Care must be taken when handling and installing this product, any sharp impacts, mishandling or severe fluctuations in temperature, could cause a stress point to develop within it. For health and safety reasons the installation should be carried out by two competent people, such as qualified insured installers, and suitable protective clothing and equipment used to prevent accidental damage or injury.
- Toughened glass is intrinsically physically and thermally stronger than standard glass to ensure that it is safe for use in the bathroom. In the unlikely event that the glass does break because of the above reasons then it will do so into small, thumbnail sized blunt fragments

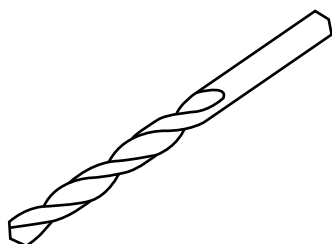
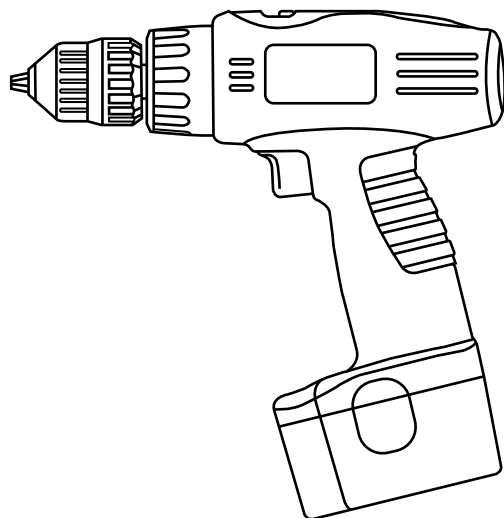
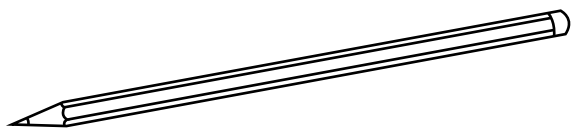
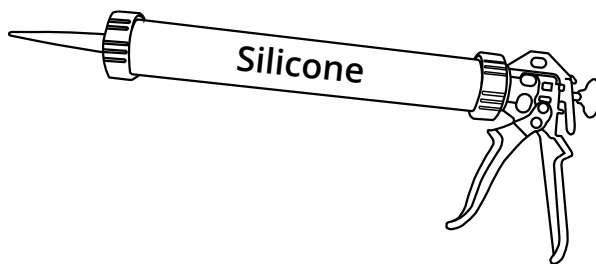
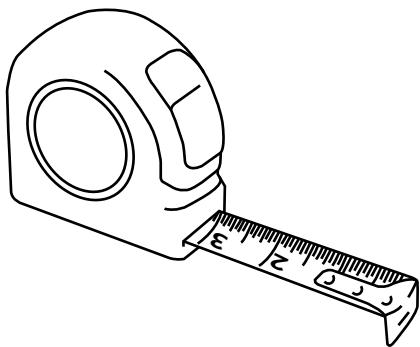
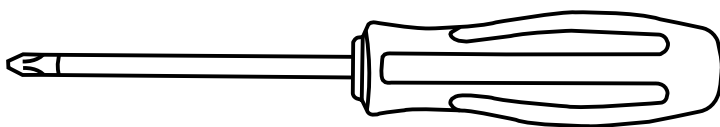
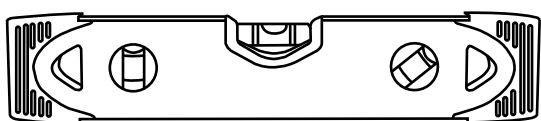
PRE-INSTALLATION CHECKS

- Ensure that you have received the correct product by referring to the labels on the product packaging.
- Check the contents of the pack carefully before installation.
- Take special care when unpacking the contents from the packaging, especially the toughened glass components.
- Carefully check all the components you have received for damage or defects before you start installation – we cannot accept responsibility for any defects or damage that you may find once installation has started
- Please take time to read and understand all the instructions supplied with the product prior to starting installation.
- Ensure that there are no hidden pipes or cables before you carry out any drilling.
- Do not attempt to make any alterations to the toughened safety glass itself as this could damage it.

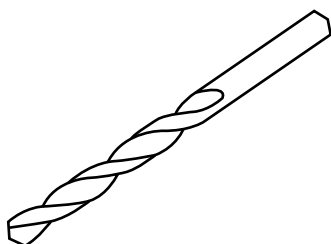
Installation



Tools required for installing:

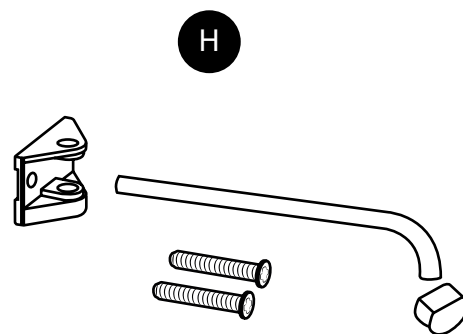
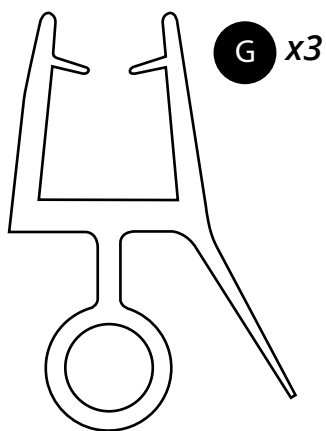
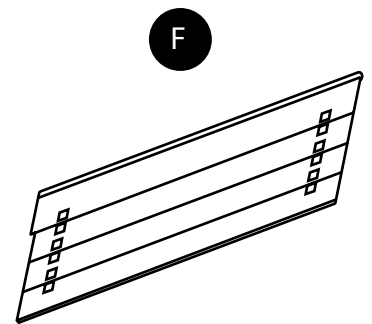
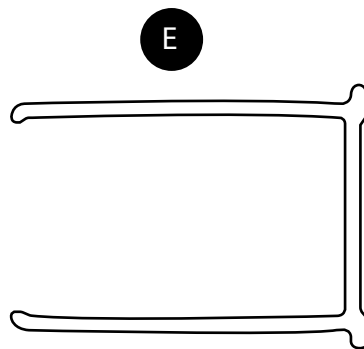
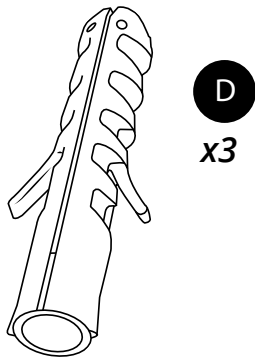
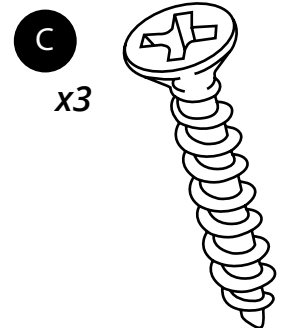
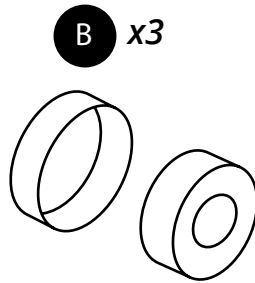
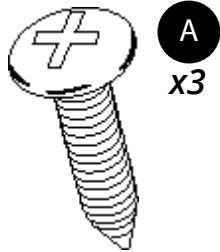


6mm

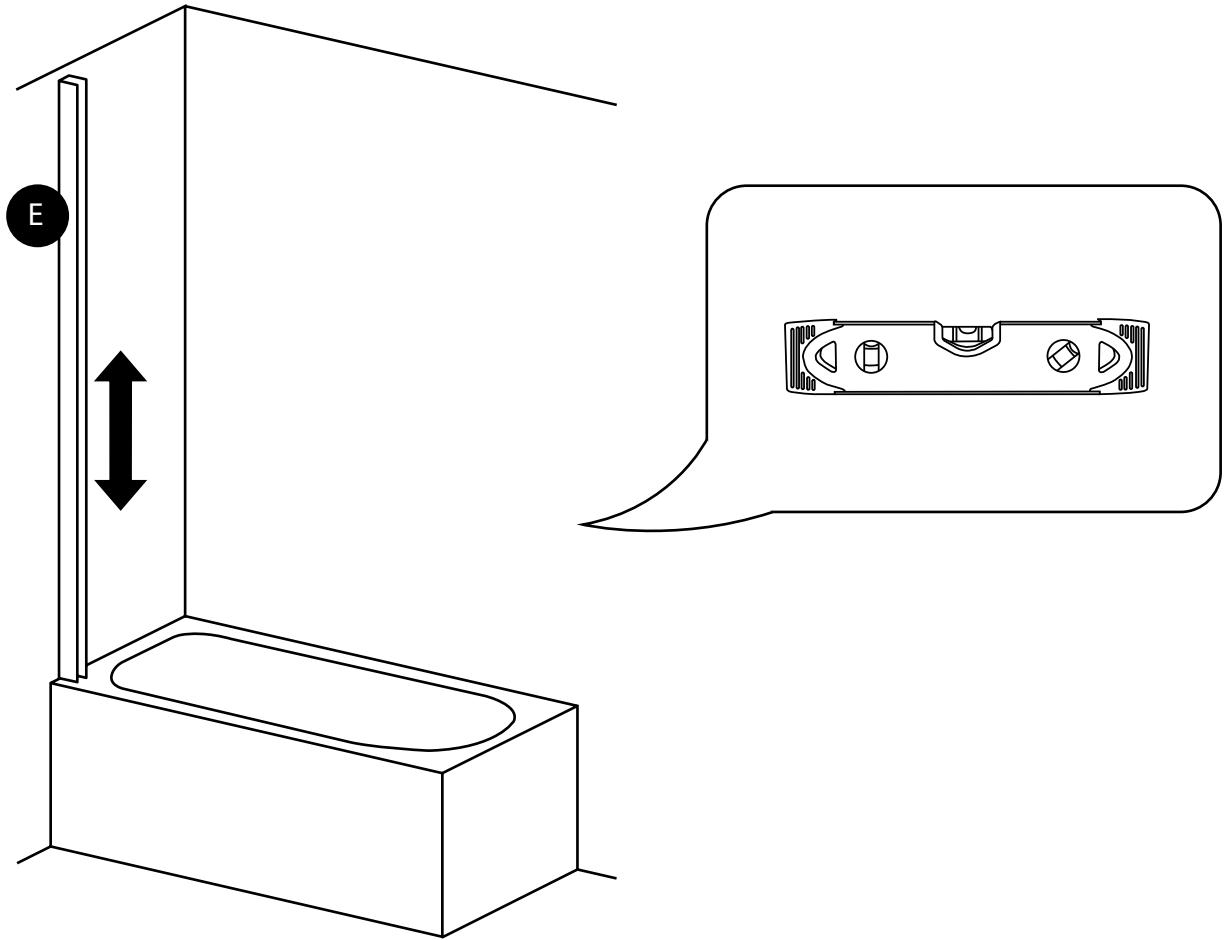


3mm

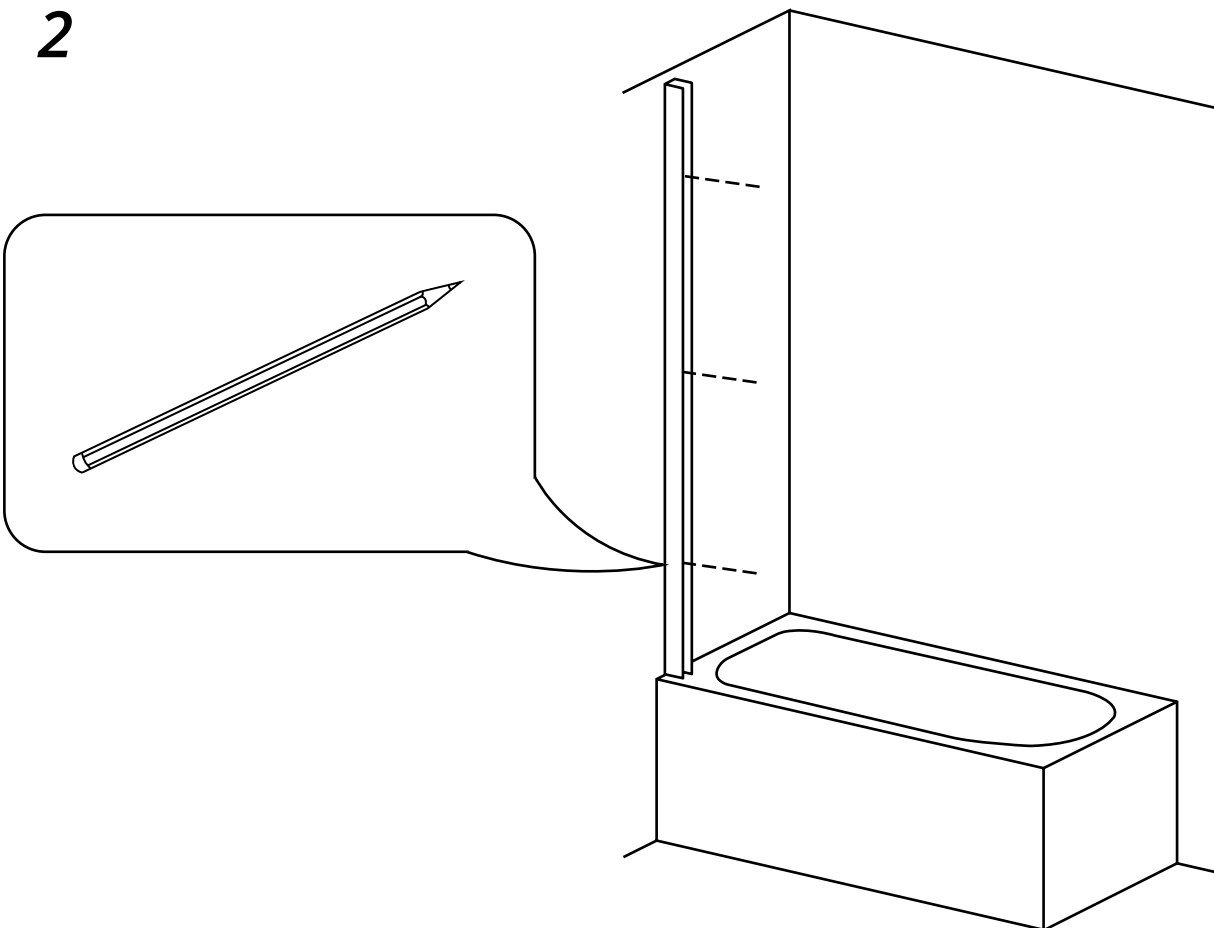
Parts included:



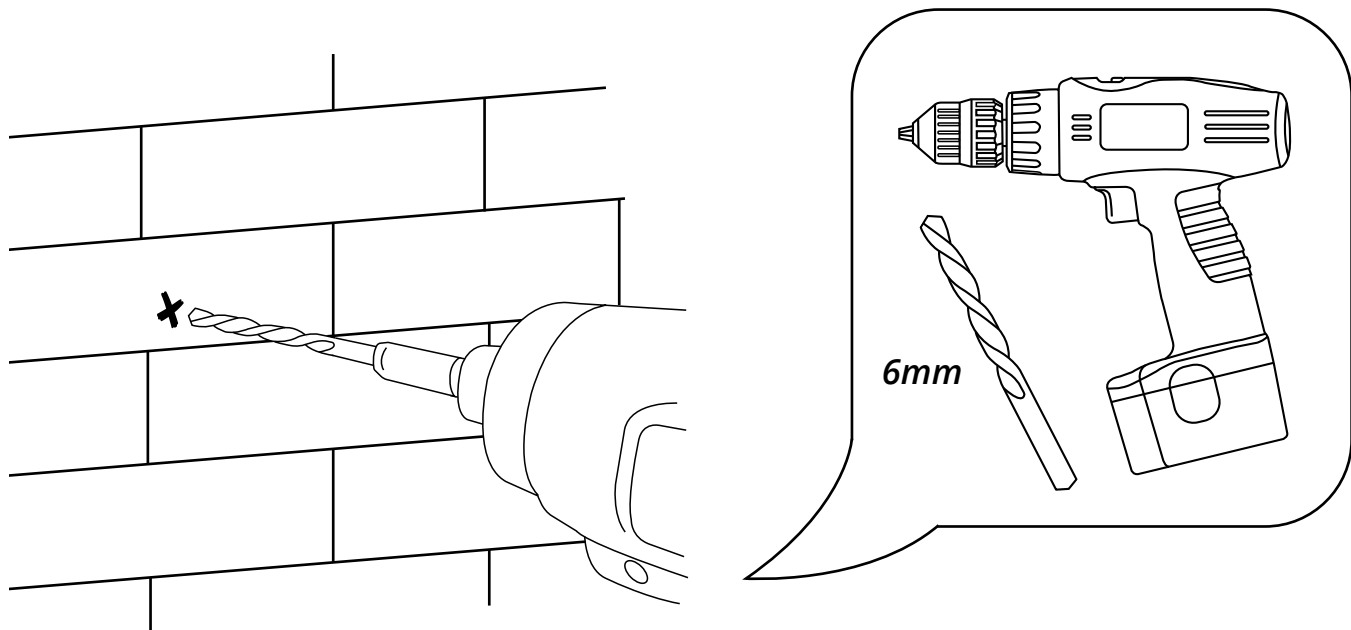
1



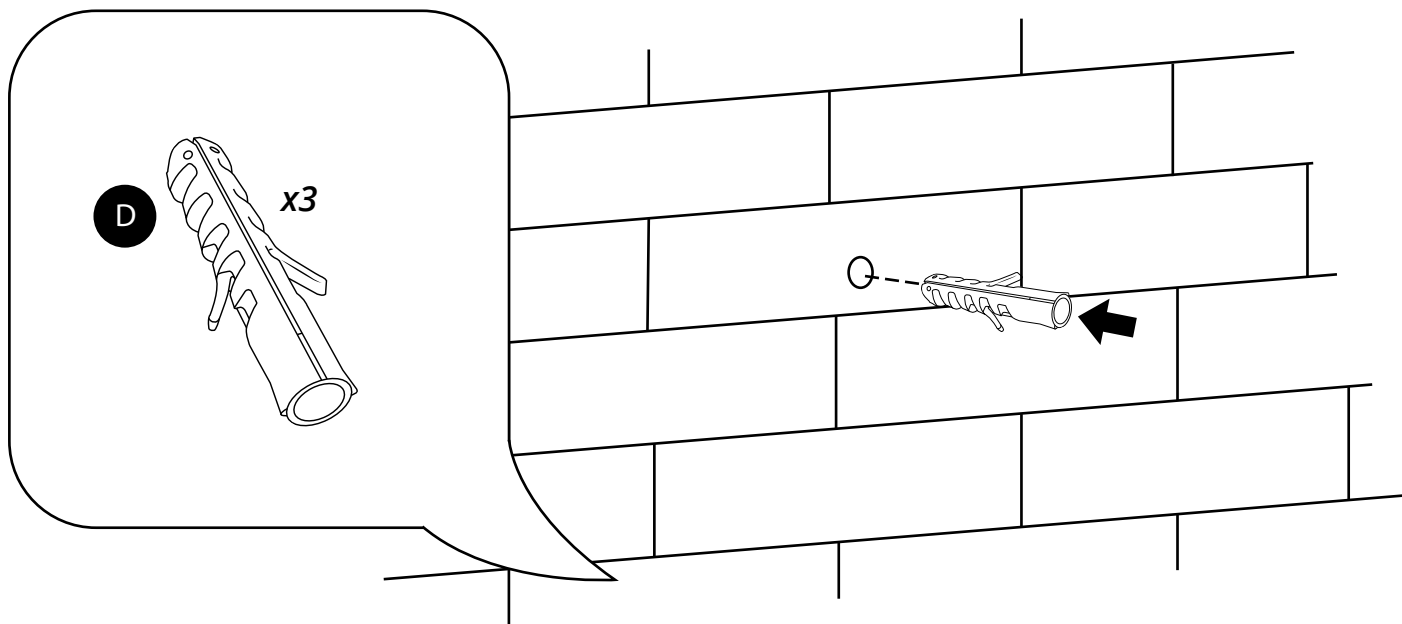
2



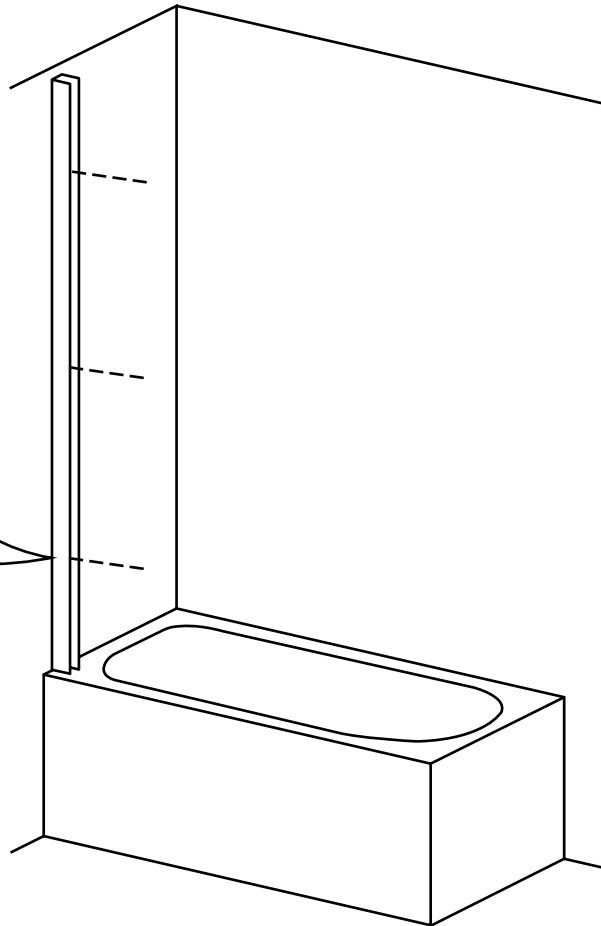
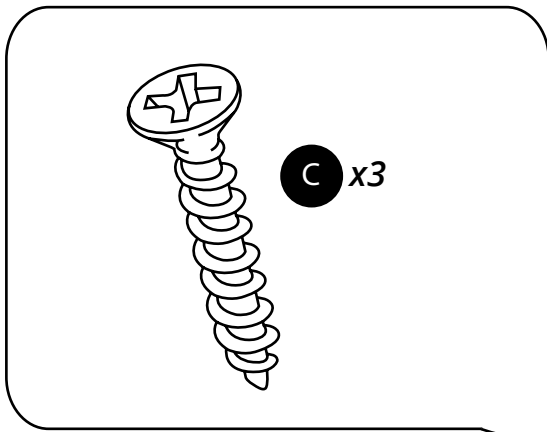
3



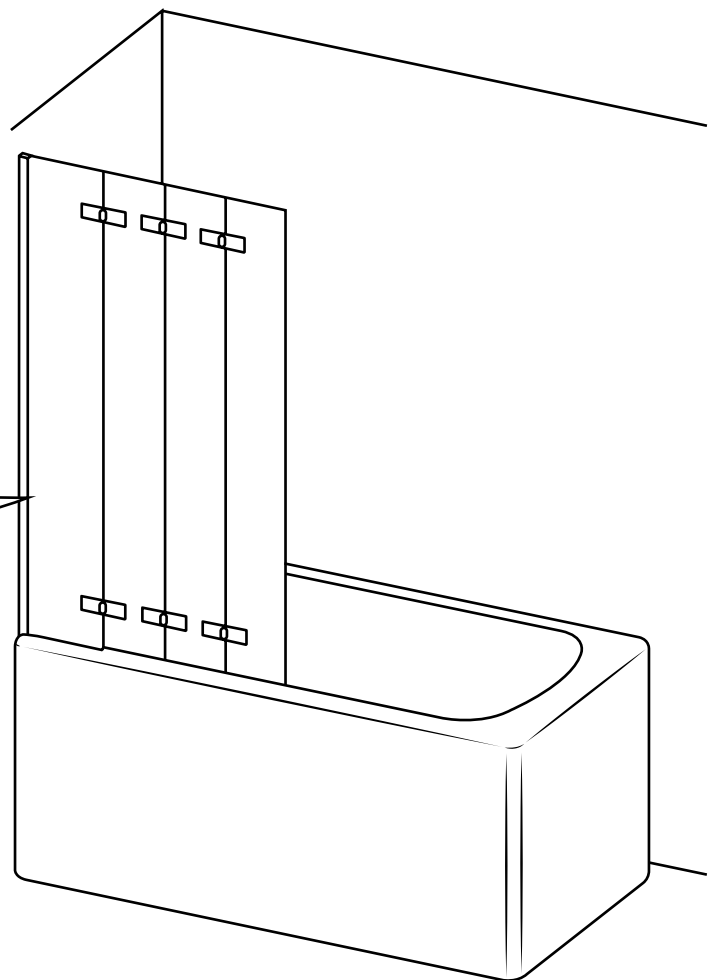
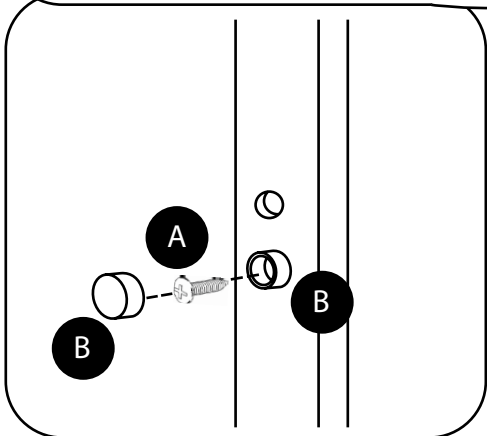
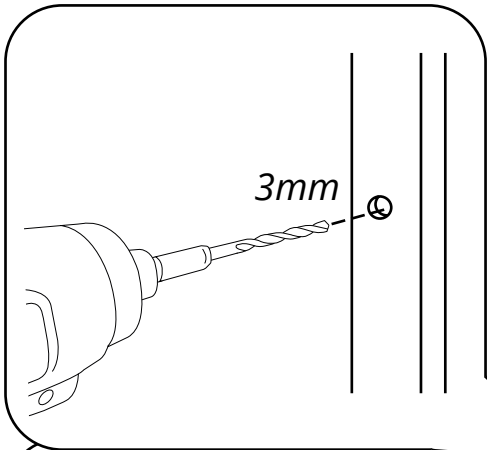
4



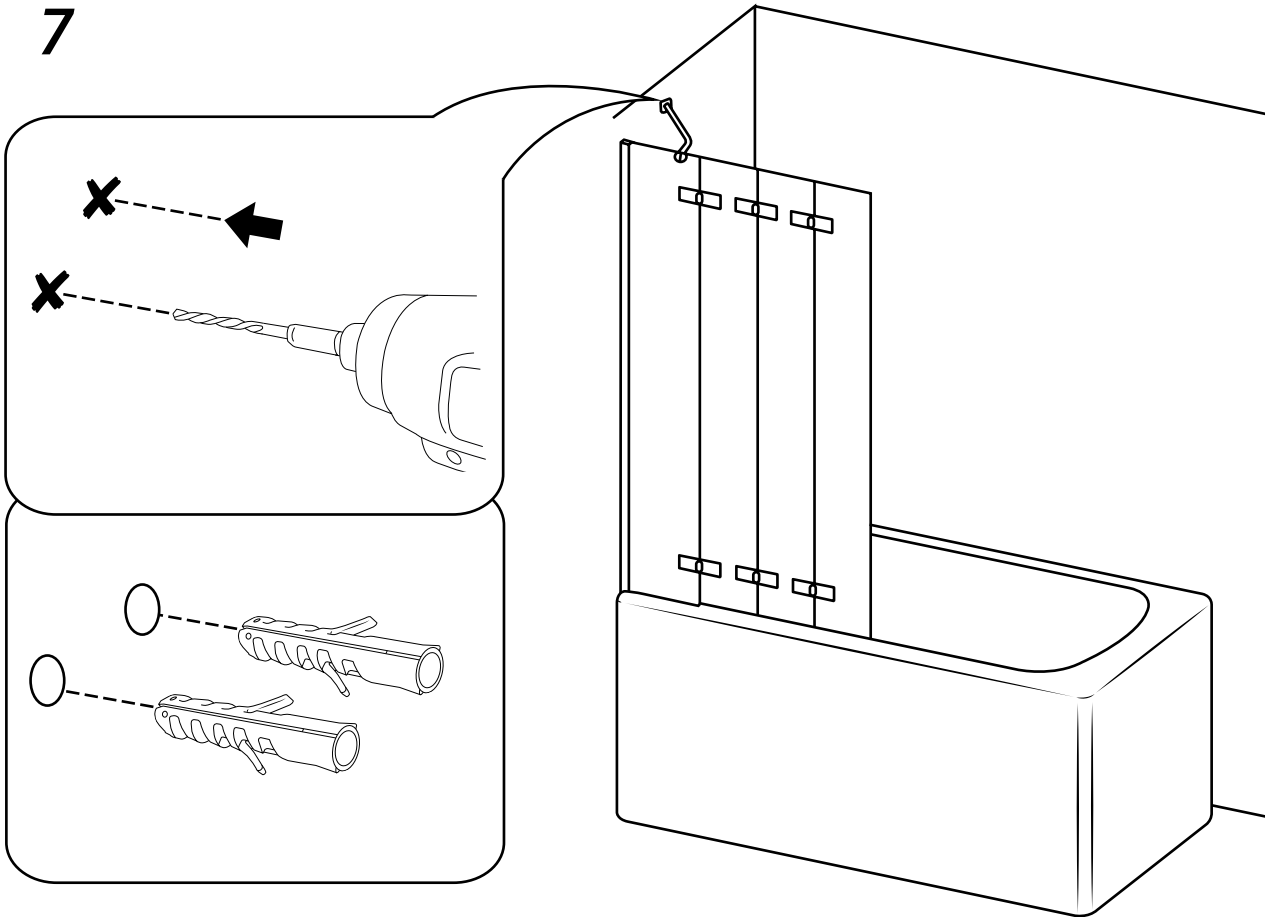
5



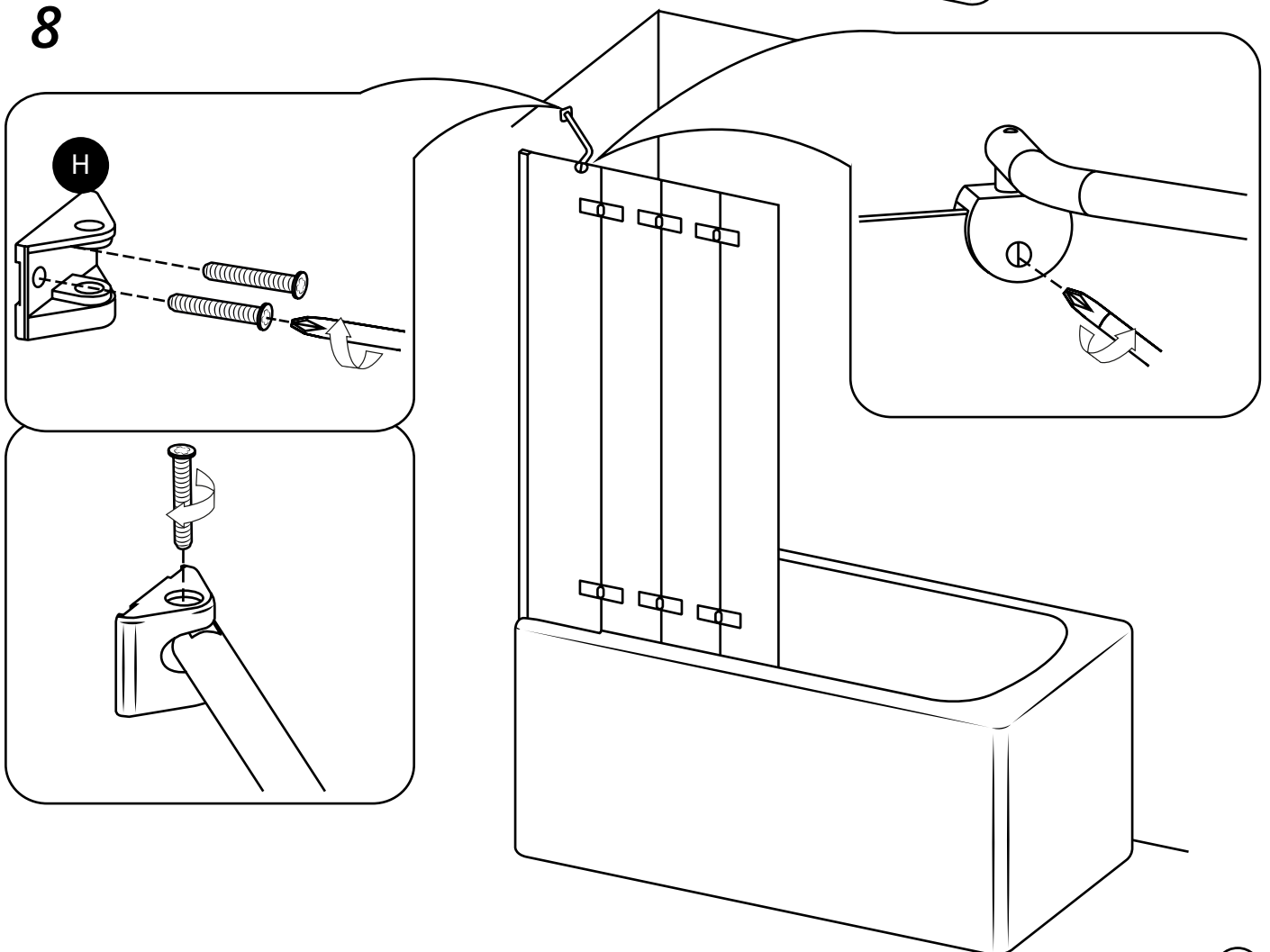
6



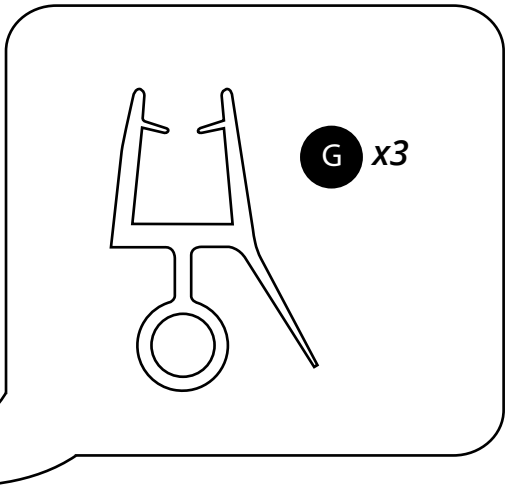
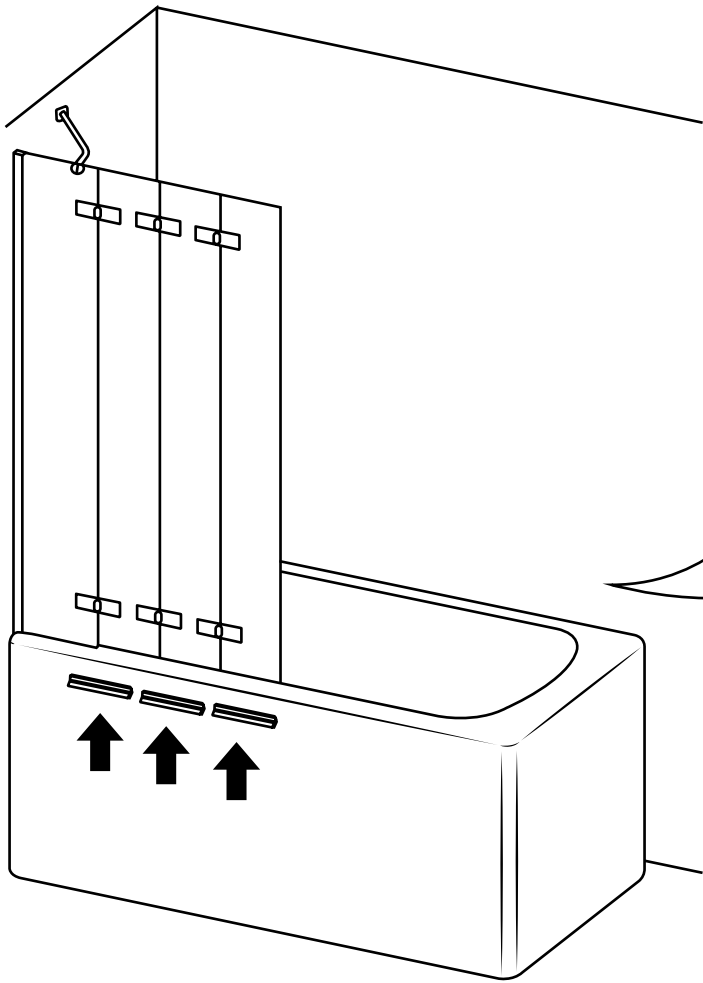
7



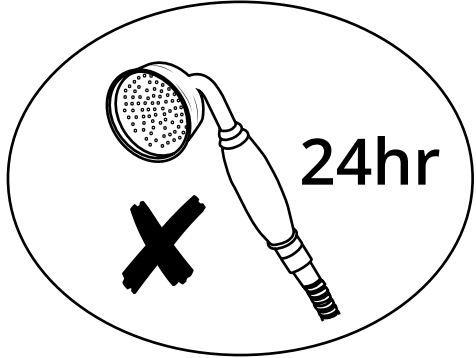
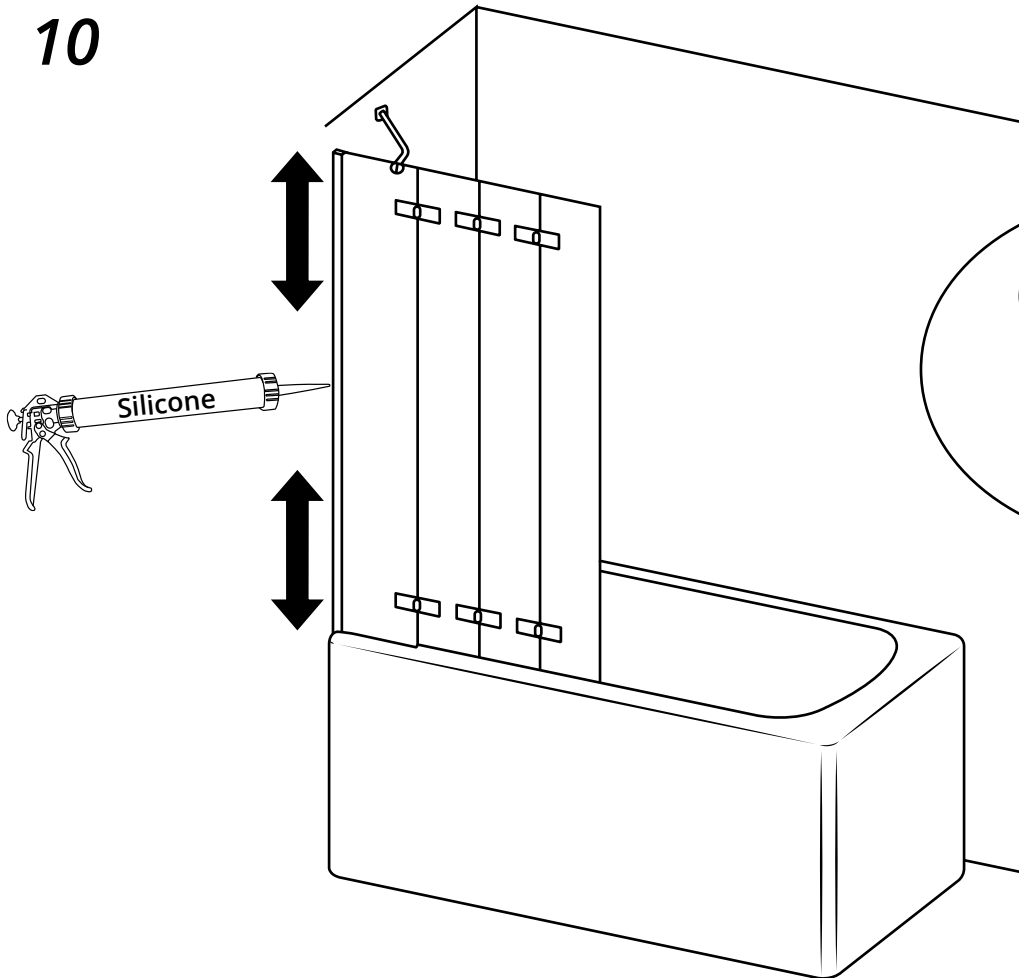
8



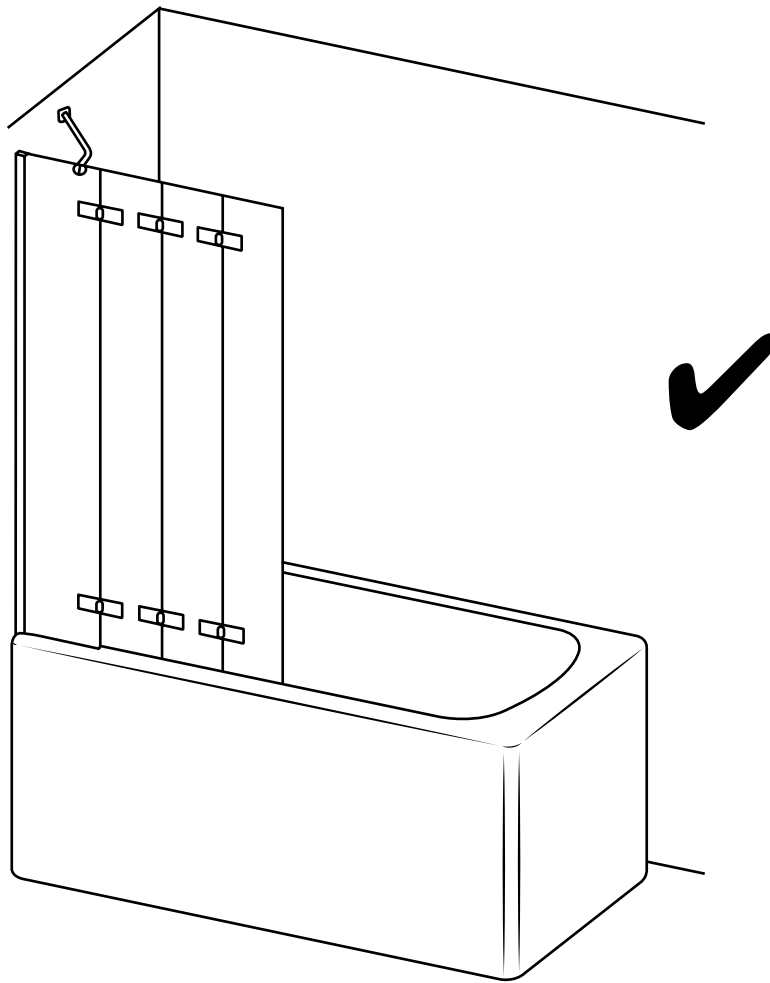
9



10



11



Care and Cleaning:

