

Milano

Designer Radiator & Terma MOA Blue Heating Element

Installation Guide

Contents

Safety Information **Page - 2**

General Information **Page - 2**

Heating Element Installation **Page - 3**

Radiator Installation **Page - 4/5/6**

Warranty Information **Page - 7**

Recycling & Disposal **Page - 7**

Contact Us **Page - 7**

Safety Information

- Fully read the installation guide before installing, if in any doubt contact a professional.
- This product should not exceed PN 1MPa (10g/cm², 10 Bar).
- This radiator should only be filled by the manufacturer, if there is any spillage during installation please contact the supplier.
- If the temperature exceeds 48 °C (or 120 °F), please show a warning sign near the product to avoid burning and scalding accidents.
- Always fit the heating element before installing the radiator on the wall.
- The heating element and radiator have been tested for compatibility, only use the heating element supplied with the radiator.
- The Glycol mix used to fill the radiators is very safe, not classified and non-toxic, but if splashed in eyes please rinse immediately with plenty of water, remove any contact lenses and open eyelids wide apart. Continue to rinse for at least 15 minutes. Get medical attention if any discomfort continues.

General Information

- Do not throw away packaging until you have located and confirmed that you have all included parts.
- Inspect the finish on the product for signs of damage before installation.
- The provided fixings are for solid brick walls only, if installing on any other surface please check that it will safely support the product and purchase suitable fixings.
- Please refer to the Moa Blue Heating Element Manual for technical and user information.

Heating element installation advice :

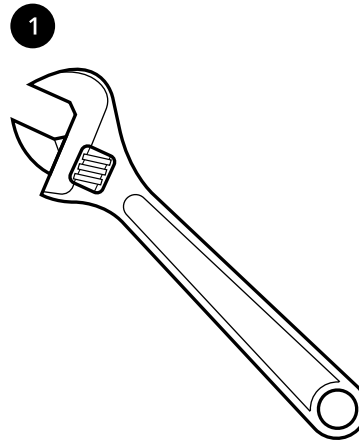
Please ensure that when the radiator is installed the heating element is fitted to one of the bottom outlets of the radiator as per the below diagrams, the element can be fitted in either the left or right outlet.



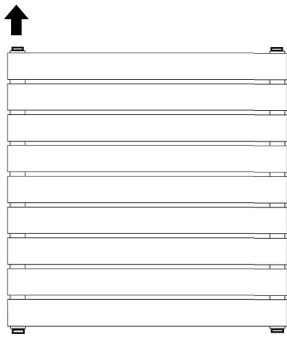
Installing The Heating Element

Tools required for installing:

1. Adjustable spanner

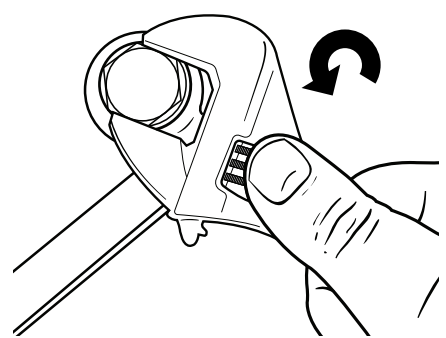


1



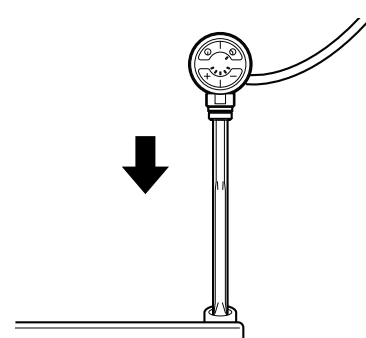
Unbox and stand your radiator with the inlet(s) you will be inserting the element into facing upwards so no fluid is lost when removing the blanking plugs, making sure the unit is sat on a flat waterproof surface.
**Design of towel rail may differ depending on model.*

2



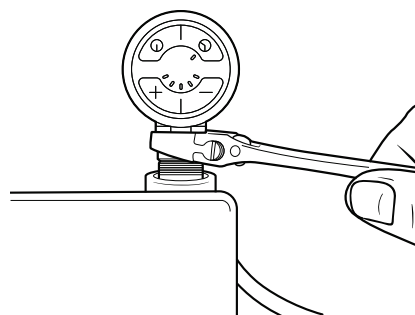
Remove the blanking plug from the inlet you will be fitting the element to by turning the blanking plug anti-clockwise.

3



Slowly insert the element into the inlet, if any Glycol spills out of the inlet then, replace the blanking plug and contact the supplier.

4



Use an adjustable spanner to tighten the head into the radiator until it is tight and the control faces forward. You can use PTFE tape on the element thread to aid with this. DO NOT twist the head by hand.

The radiator can now be turned over so the heating element is facing downwards ready for installing on the wall.

Installing The Radiator

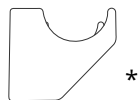
Installation

Parts Included:

Your Radiator is supplied with x4 fixing brackets. They are specifically designed as two large for the top of the unit and two small on the bottom as seen below.



1x Bleed Valve



2x Top Brackets



8x Wall Plugs



8x Plastic bracket covers



3x Blanking Plug



2x Bottom Brackets



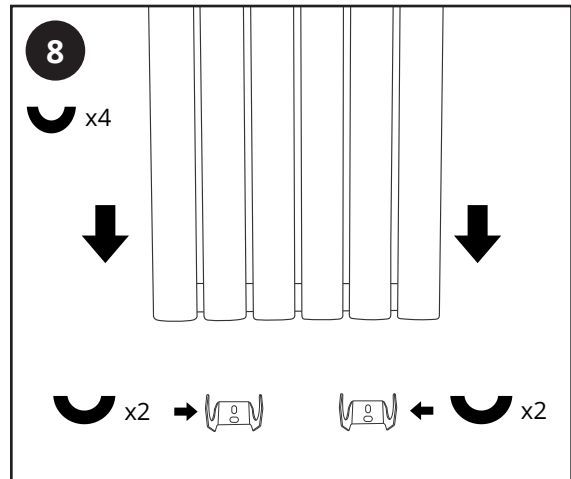
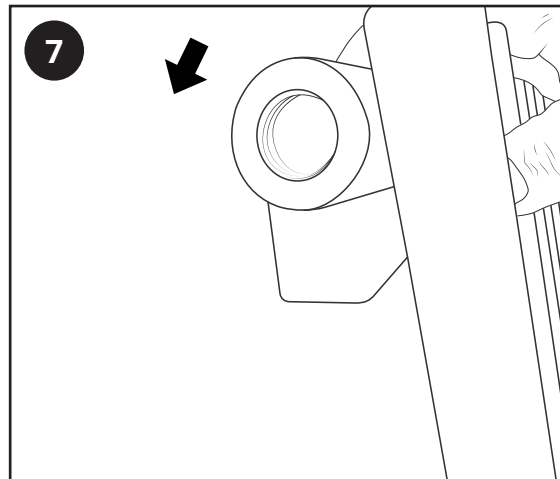
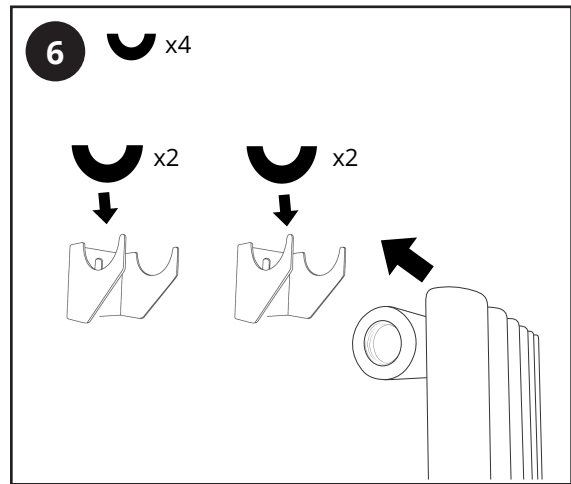
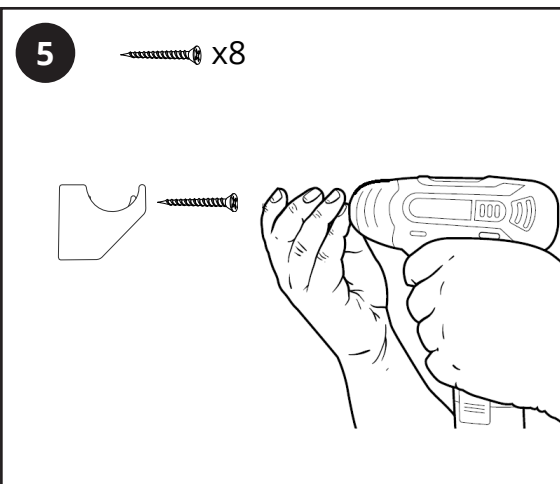
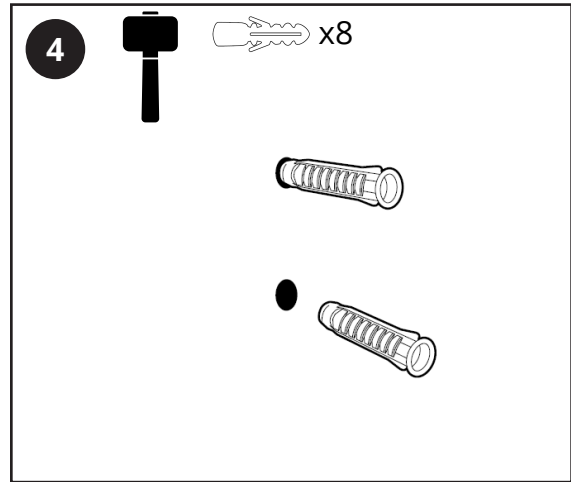
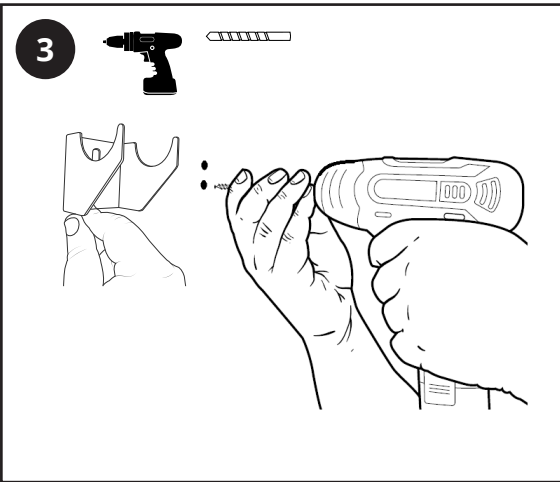
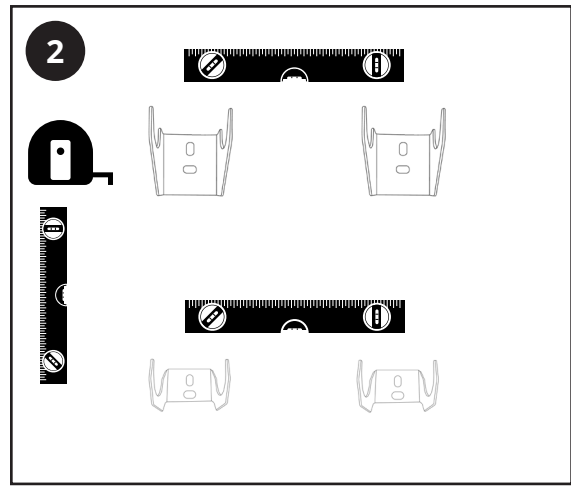
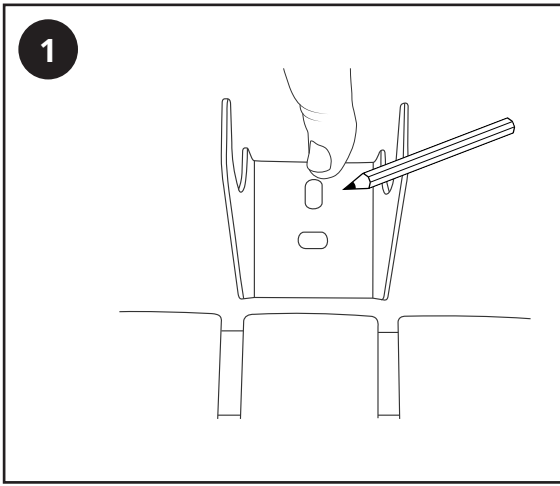
8x Fixing Screws

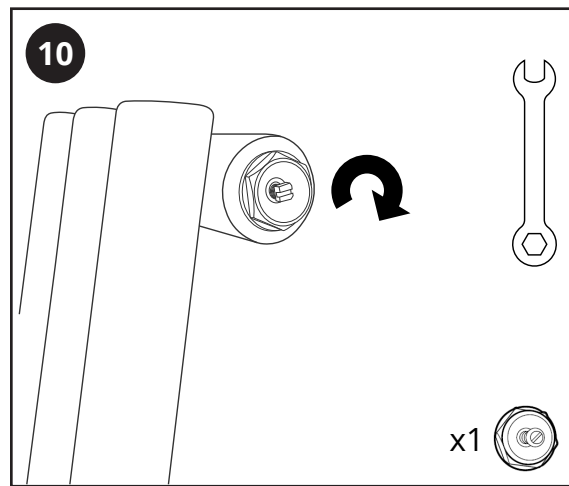
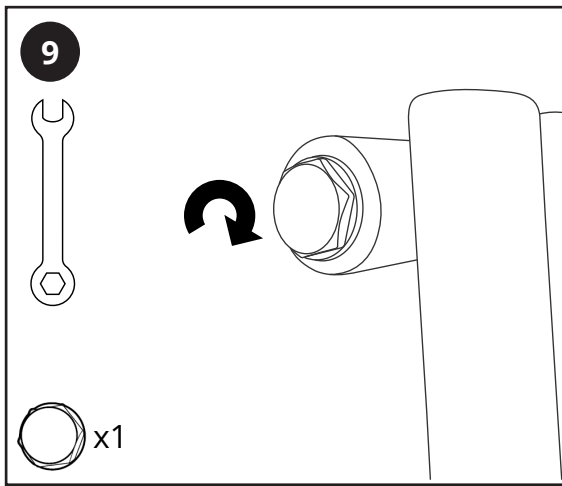
**Brackets may vary by product.*

Tools required for installing:



10mm



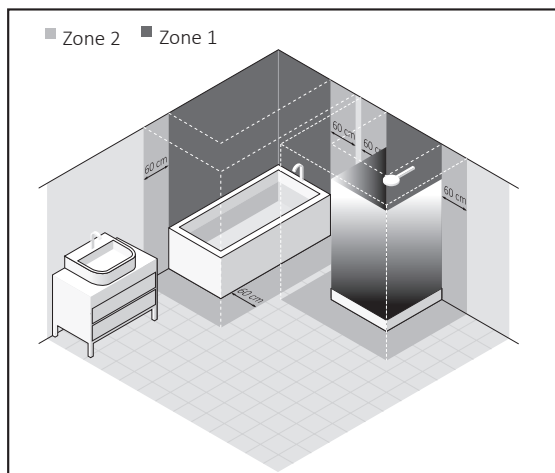
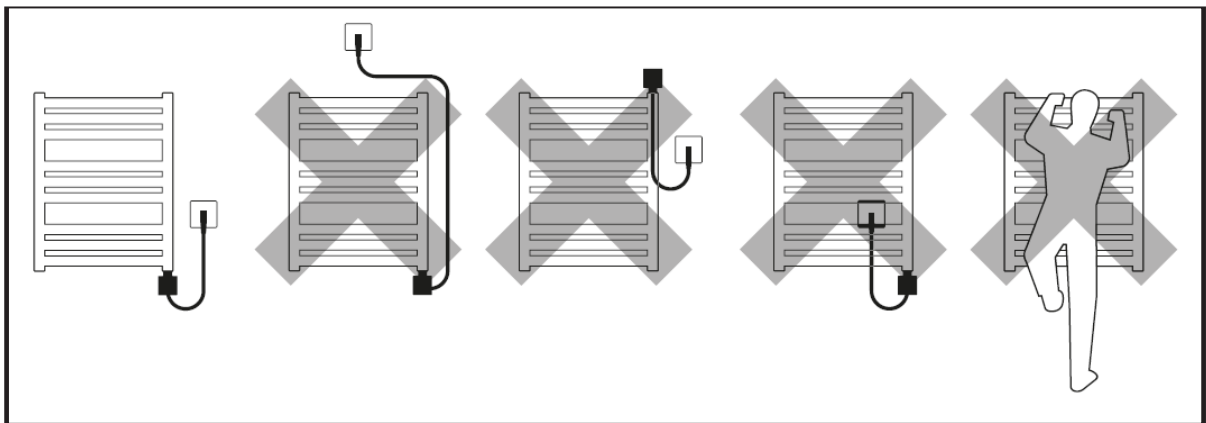


Electrical Installation

Once the heating element and radiator is installed, the radiator can be wired into the mains, this must be done by a qualified electrician in accordance with local electrical wiring regulations.

Wiring Diagram for Single Phase Supply (230VAC 50Hz)

The element must be wired via a fused connection and on a 30mA RCD



The MOA Blue heating element can be installed in bathrooms in zone 1, 2 and outside the zones as defined by applicable law, subject to any additional regulations concerning electrical installations in wet areas.

Aftercare

Clean any marks with a soft dry cloth, for stubborn stains please use with mild soapy water and dry with a soft cloth **DO NOT** use abrasives or acidic cleaners, if unsure please contact the supplier.

Your Guarantee

- To find the specific guarantee for your product please refer to the website.
- The guarantee starts from the date of purchase.
- The guarantee covers you against issues caused as a result of manufacturing related issues, it does not apply to issues that are found to be a result of poor installation.
- Labour costs for installation of the product are not covered and the guarantee does not cover you for consequential loss.

Recycling and Disposal

The **Waste Electrical and Electronic Equipment Directive (WEEE Directive)** is the **European Community directive 2012/19/EU on Waste Electrical and Electronic Equipment (WEEE)** which, together with the **RoHS Directive 2002/95/EC**, became European Law in February 2003

The **WEEE** directive aims to reduce the amount of electrical equipment being produced and to encourage everyone to reuse, recycle and recover it.

In support of these guidelines and for environmental safety, do not dispose of any electrical equipment including those marked with the below symbols

When replacing old electrical devices with new ones the retailer is legally obligated to take back your old items for disposal free of charge. You can also recycle your old electrical devices free of charge at your local recycling centre. Please contact your local council for more information.

Please recycle the packaging in accordance with your local government regulations on waste handling and follow the same advice at the end of the products life.

Product - Steel.

Packaging - Cardboard, plastic, steel.



Consult
Instructions
For Use

REF
Catalogue
Number

Contact Us

Milano

Unit 1&2 Dawson Ct

Burnley

BB11 5UB