

Concealed Cistern

BCTWC001

Installation Guide

Contents

Safety Information **Page - 2**

Installation **Page - 2**

Warranty Information **Page - 8**

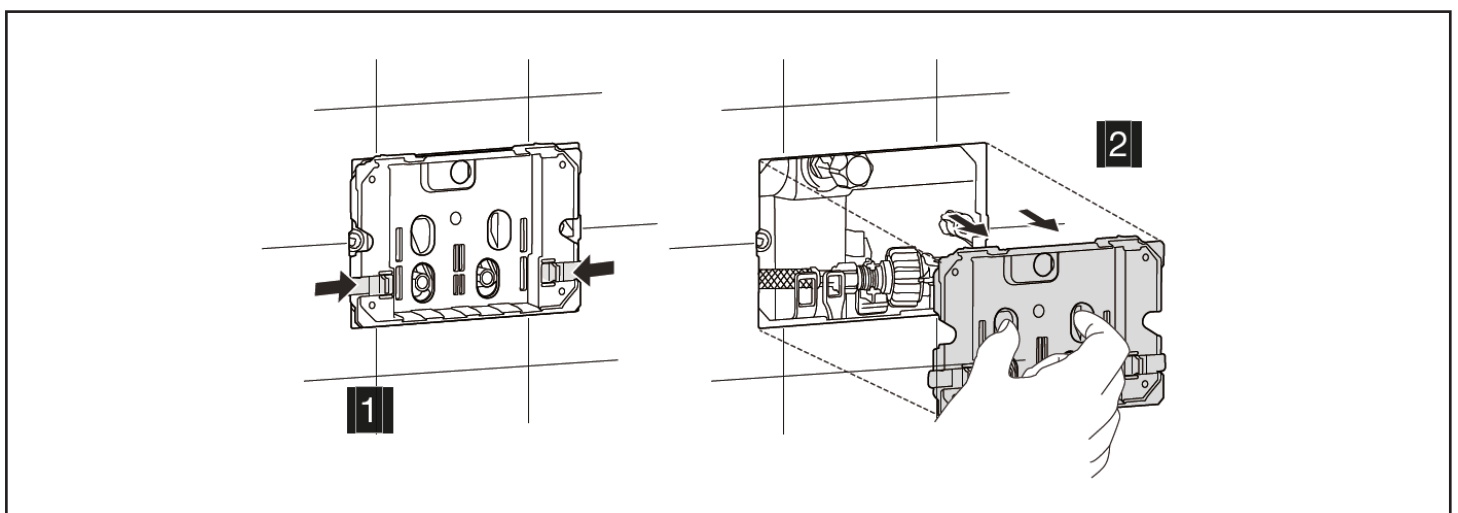
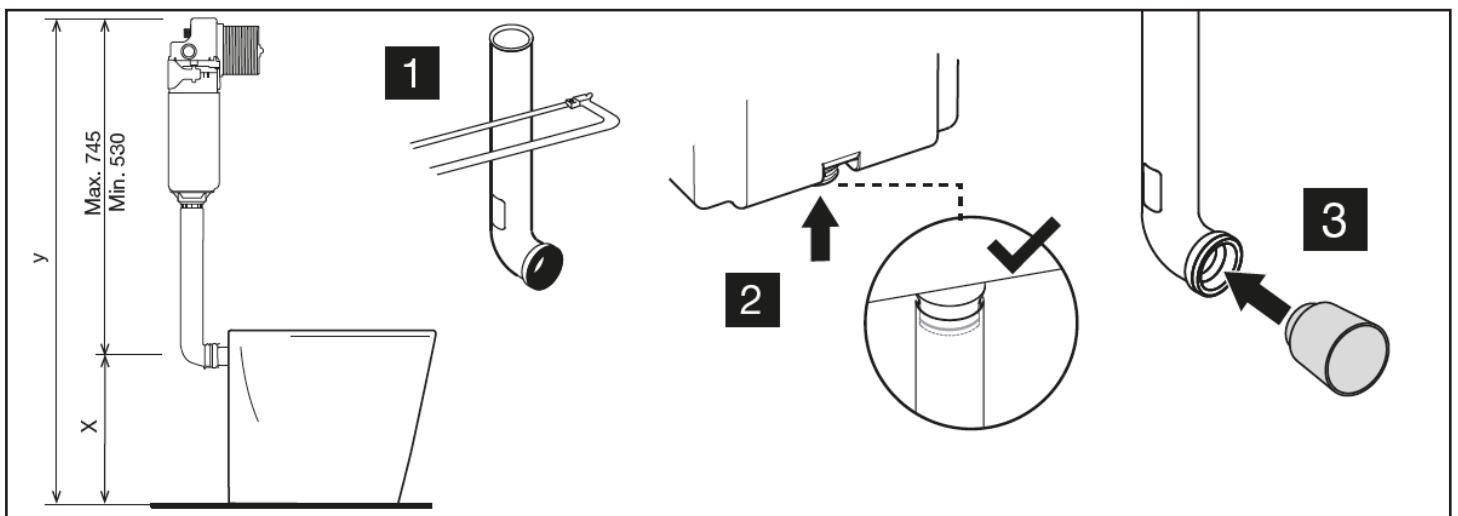
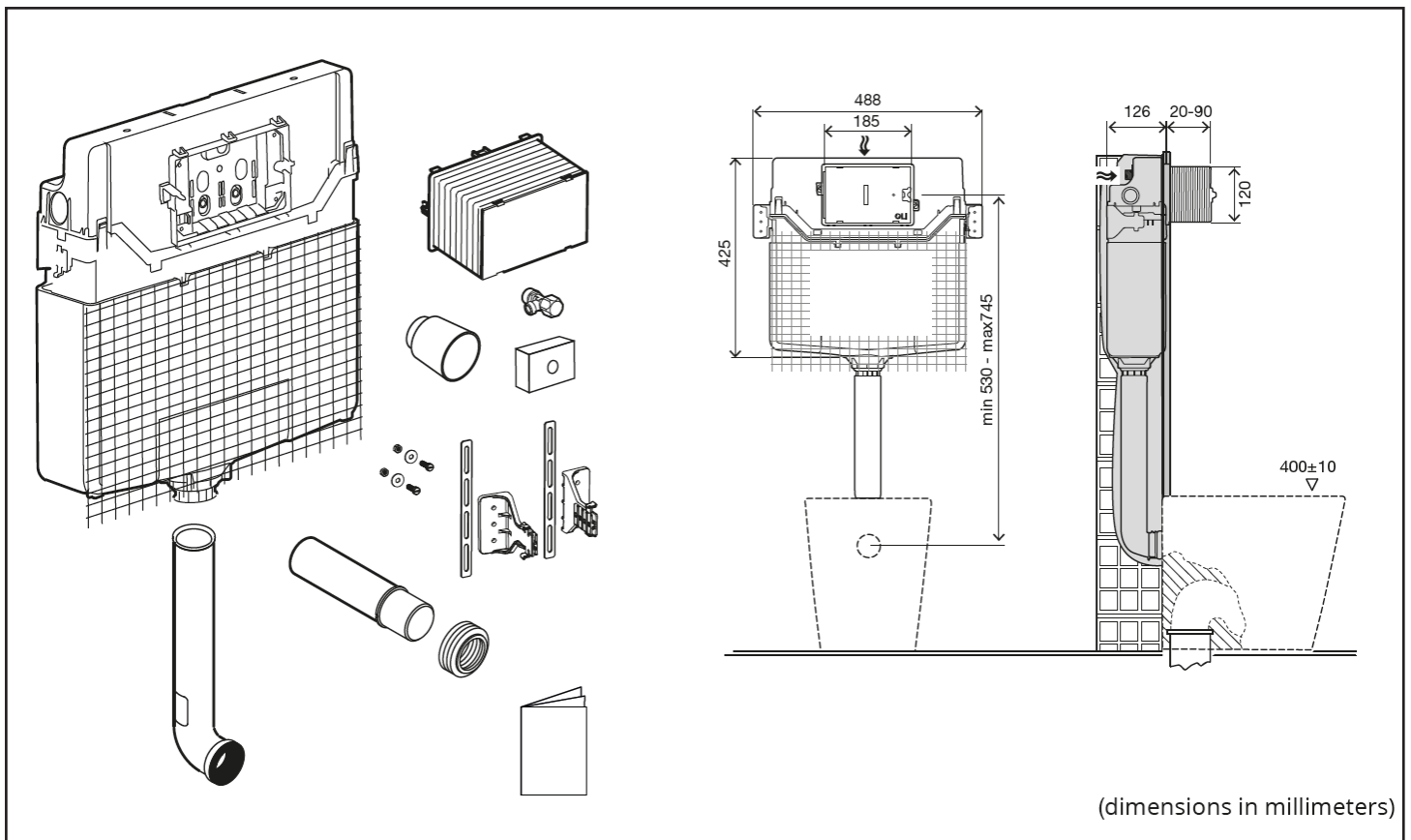
Recycling & Disposal **Page - 8**

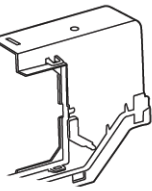
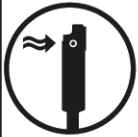
Technical Information

Please read carefully...

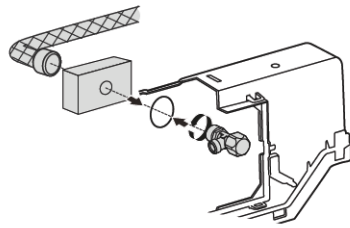
- ✓ Flush cistern to be installed inside the wall and used in combination with floor standing sanitary applications.
- ✓ Compatible with all floor mounted WC pan.
- ✓ 126mm thickness.
- ✓ Mechanic actuation.
- ✓ Net for easier mortar adhesion.
- ✓ Supplied with anti-condensation lining.
- ✓ Polypropylene (PP) cistern highly resistant and inalterable to thermal stress.
- ✓ Dual flush in-wall cistern compatible with either dual or single flush actuators 6/3 litres (adjustable to 4/2 and 7/3)

Installation

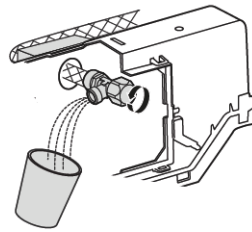




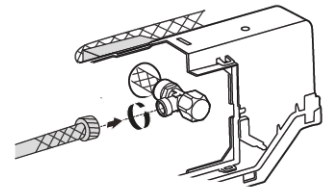
1



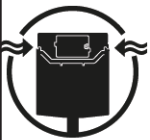
2



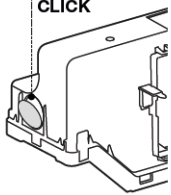
3



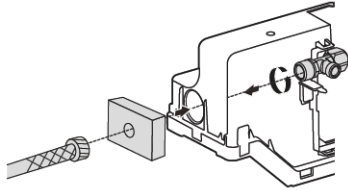
4



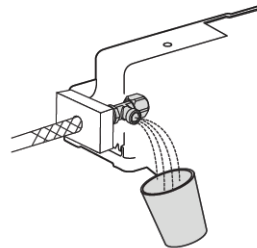
CLICK



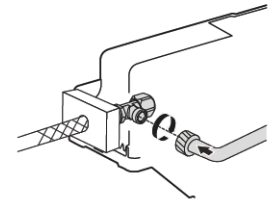
1



2



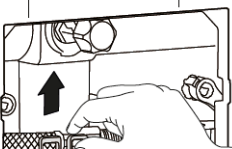
3



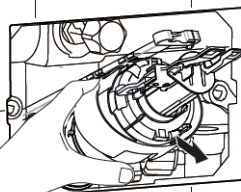
4



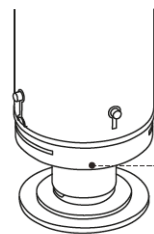
1



2



3



7L/3L

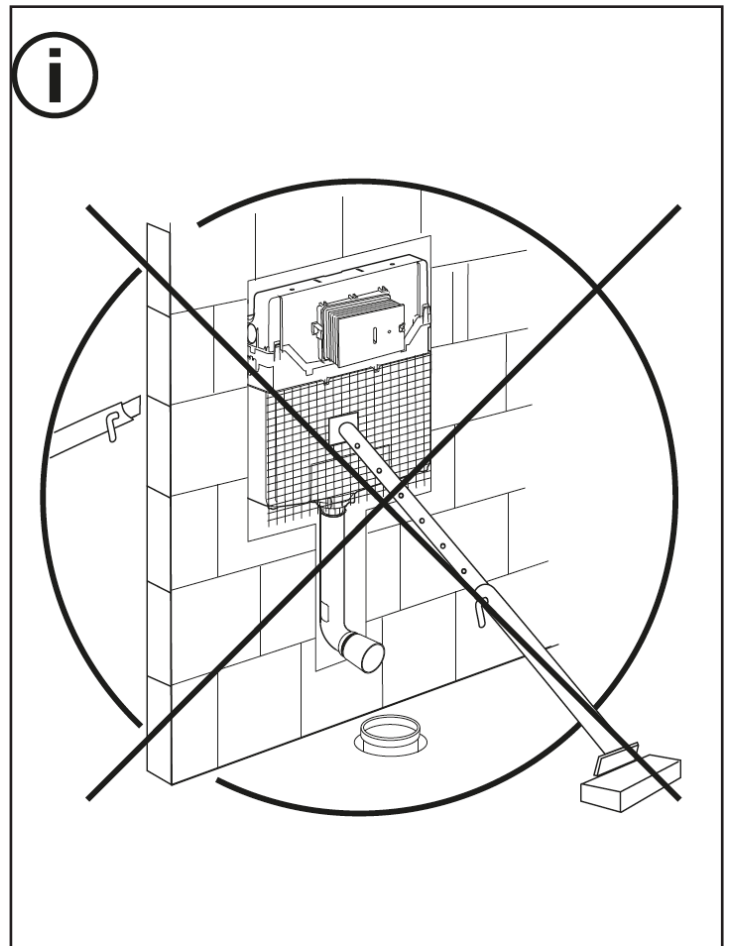
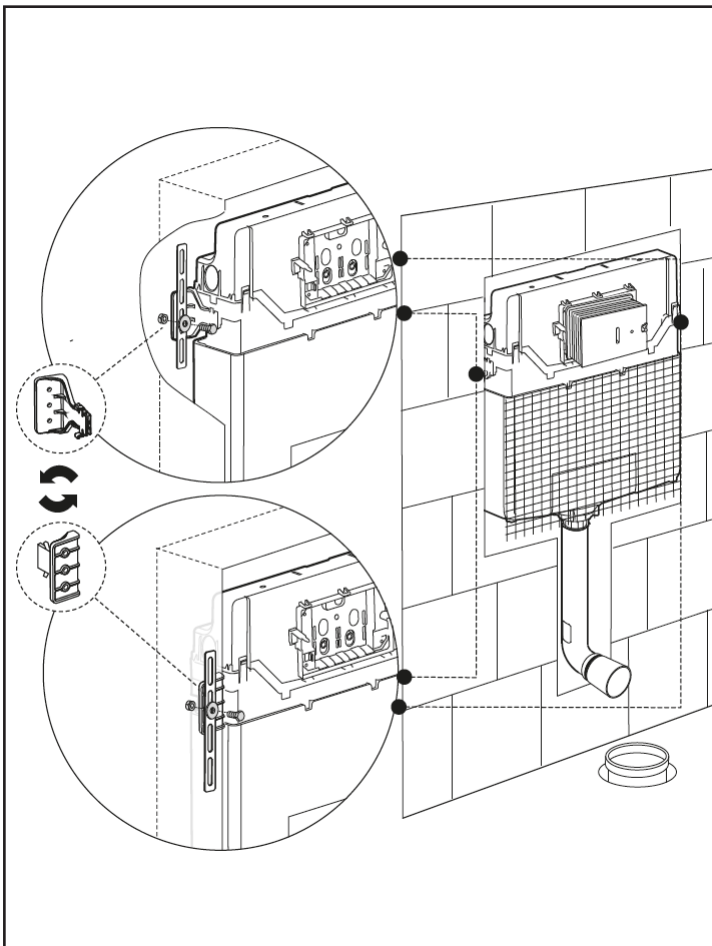
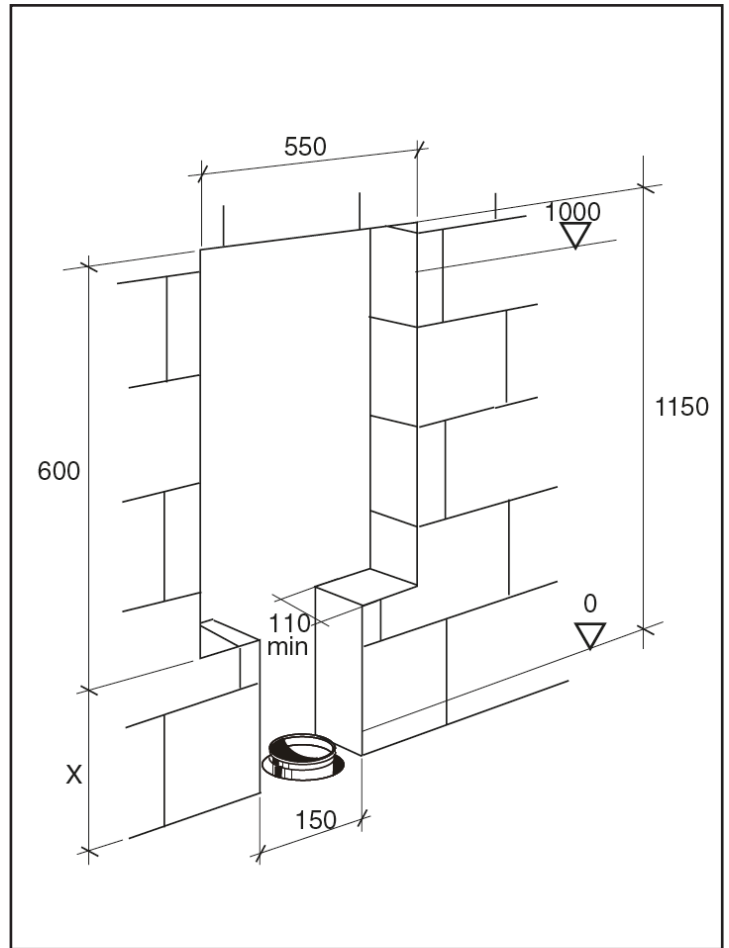
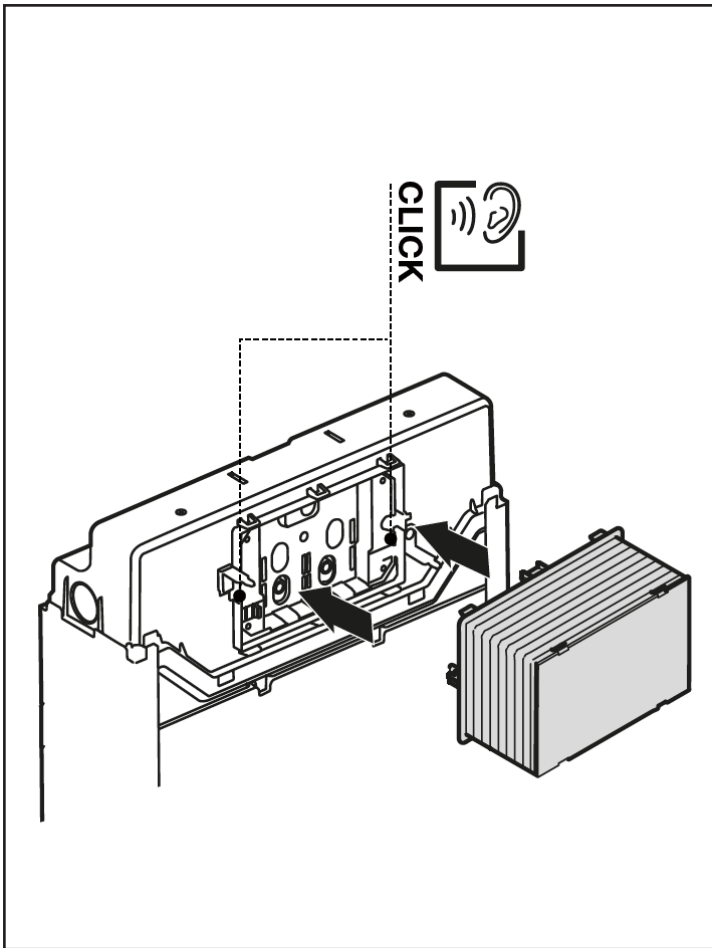


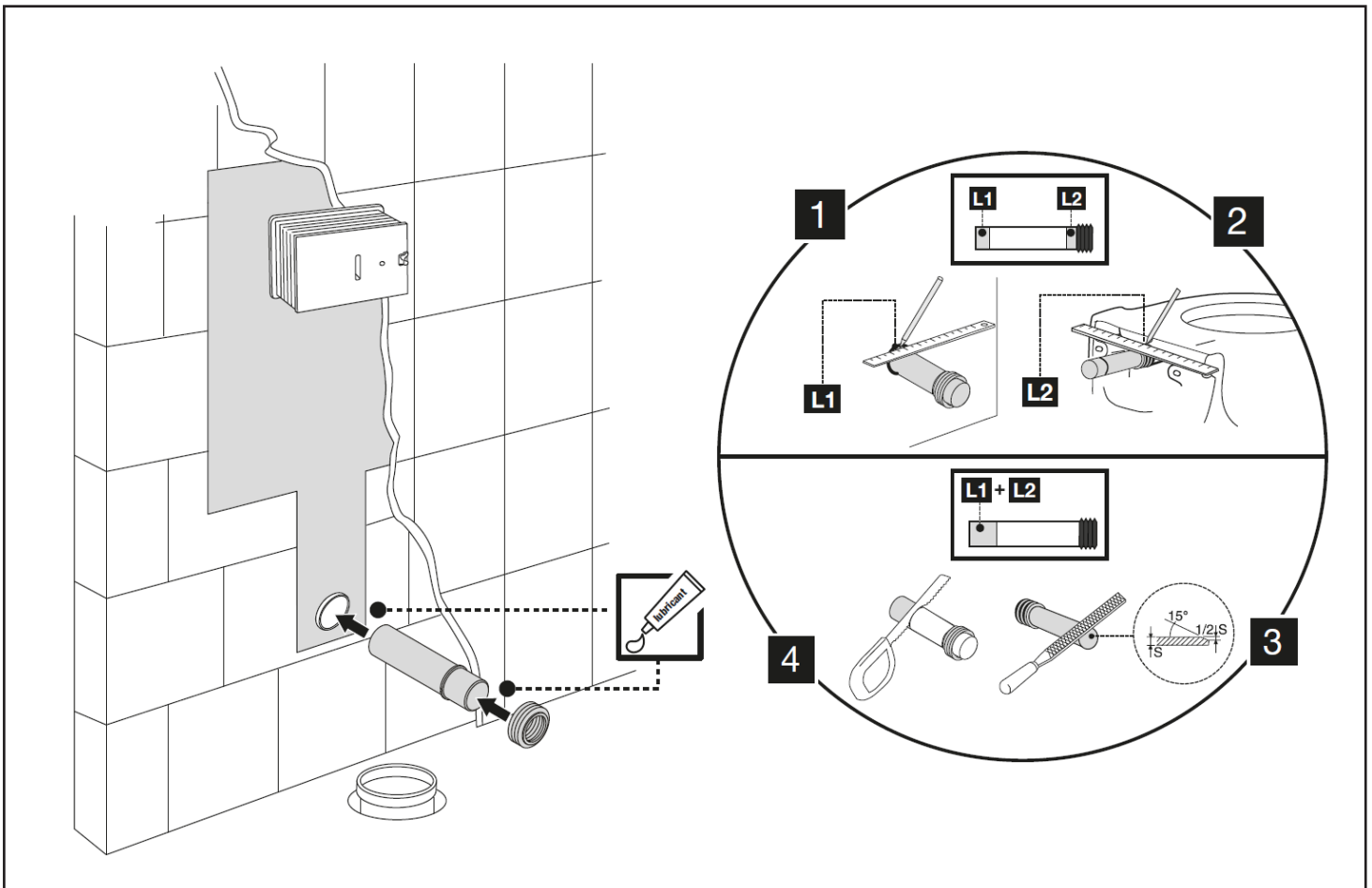
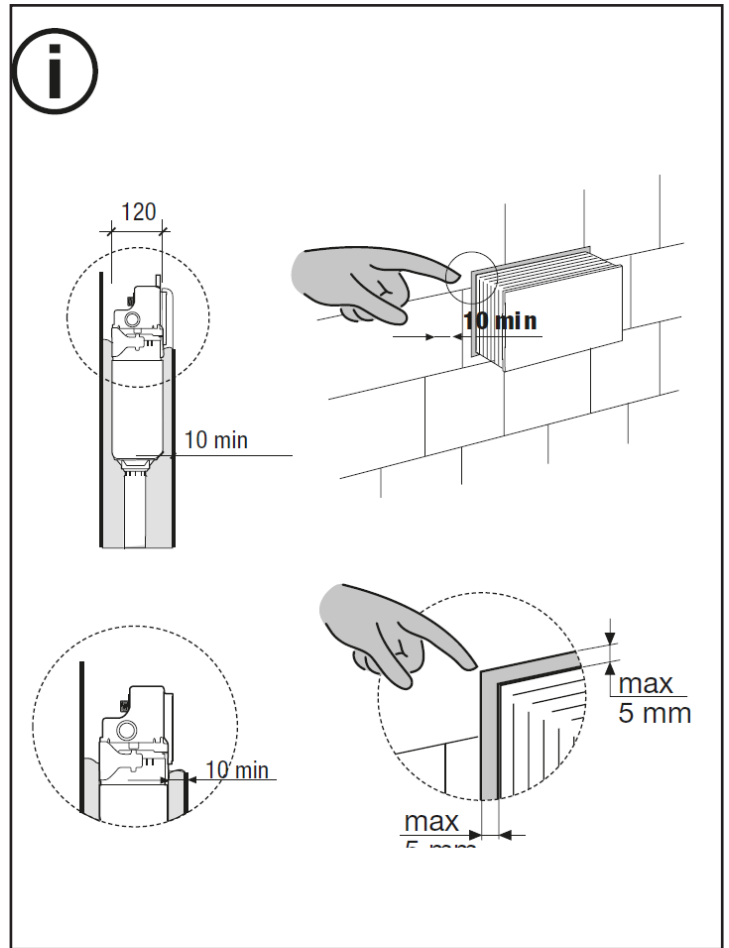
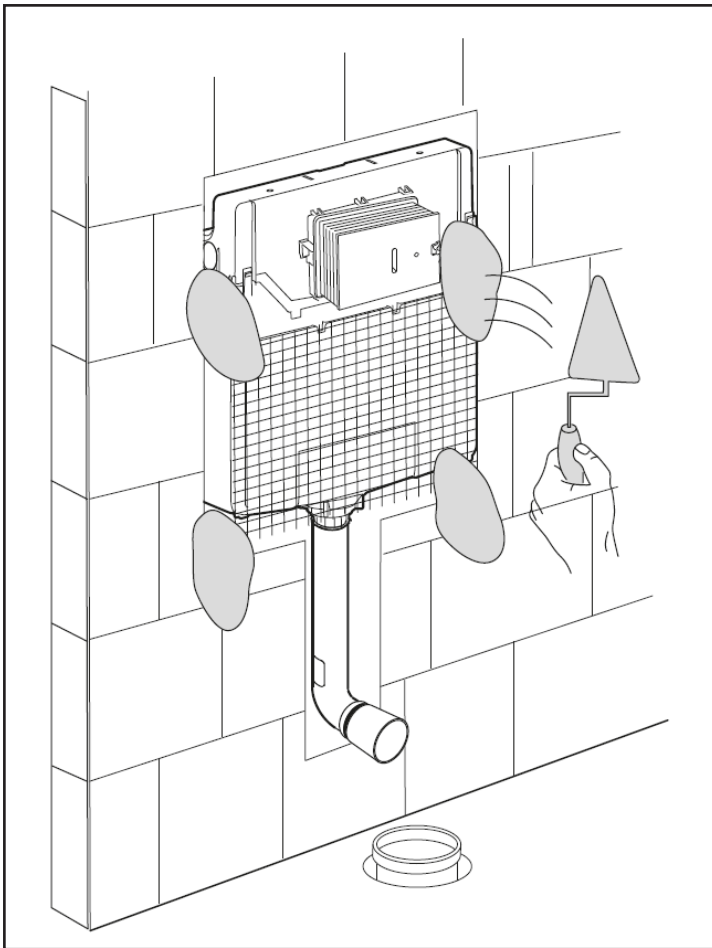
Closed

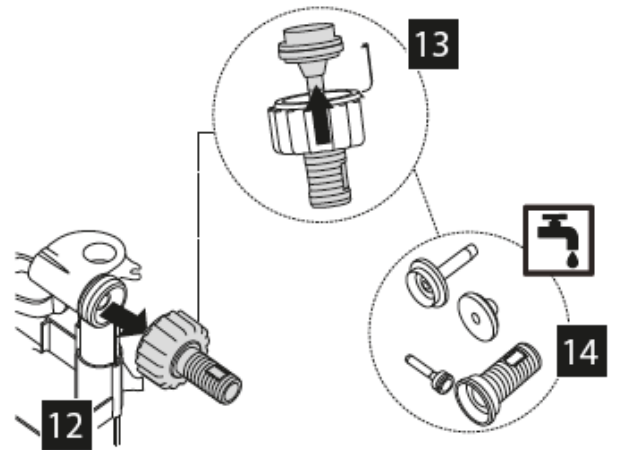
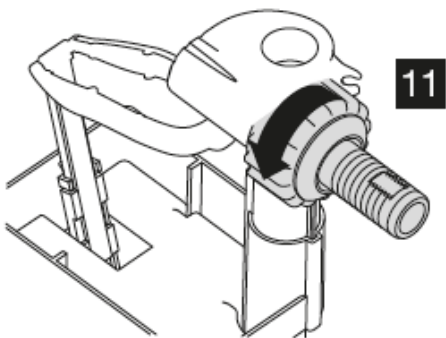
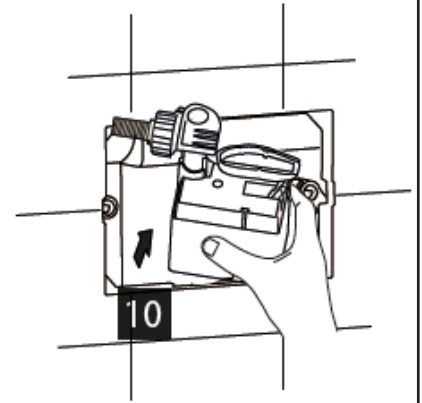
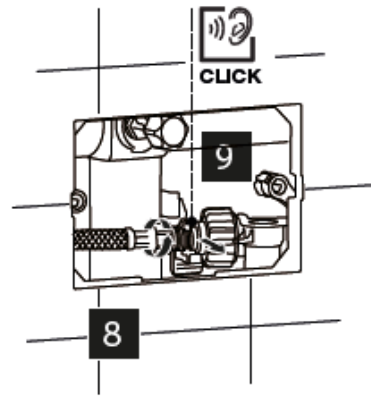
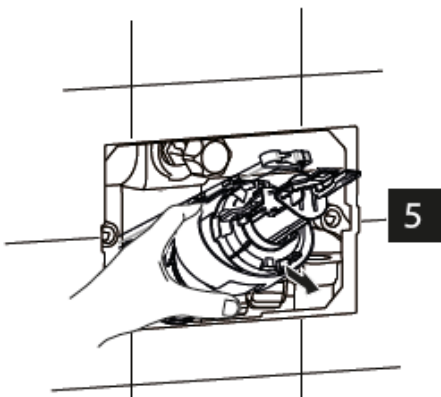
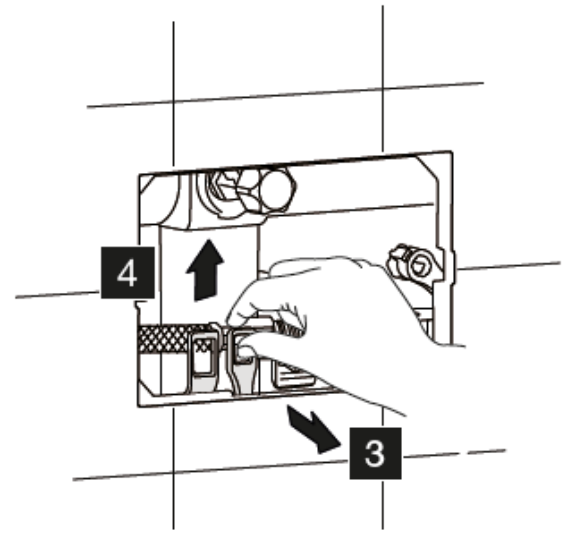
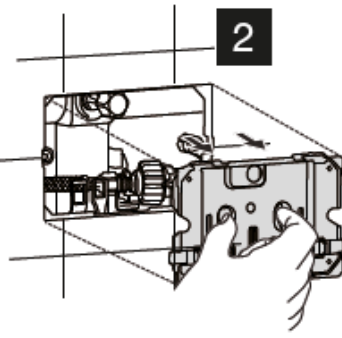
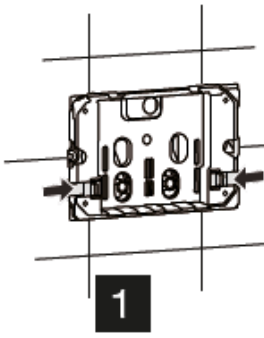
4L / 2L



Medium







Aftercare

Periodically check the fixings for signs of wear and tear e.g. If the toilet starts to pull away from the wallframe. If you notice any signs of wearing, please contact the manufacturer.

Your Guarantee

- *To find the specific guarantee for your product please refer to the website.*
- *The guarantee starts from the date of purchase.*
- *The guarantee covers you against issues caused as a result of manufacturing related issues, it does not apply to issues that are found to be a result of poor installation.*
- *Labour costs for installation of the product are not covered under this warranty.*

Recycling and Disposal

Please recycle / dispose of this product in accordance with your local council / government guidelines.

Contact Us

LDG

Unit 1 & 2 Dawsons Ct

Burnley

BB11 5UB