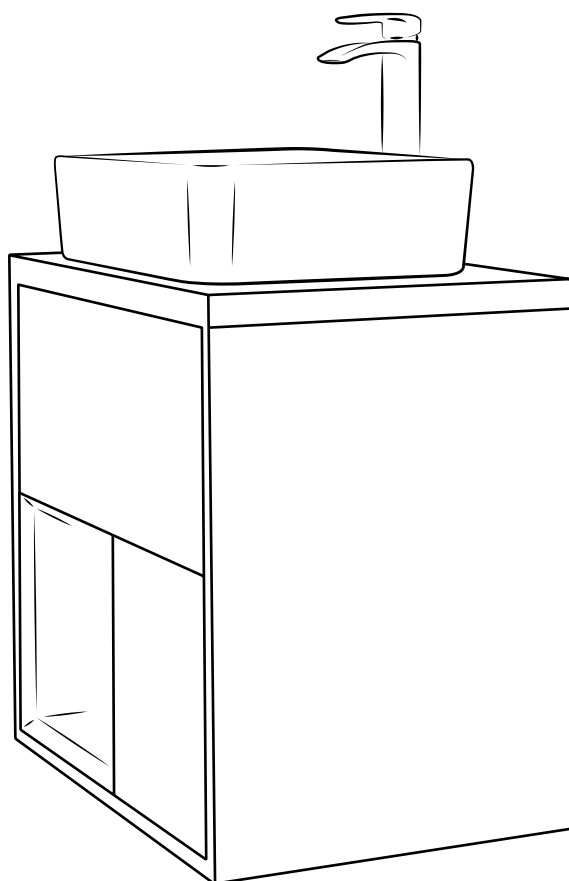



Milano

Bexley Vanity Unit

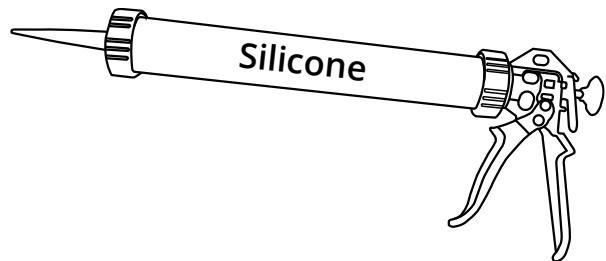
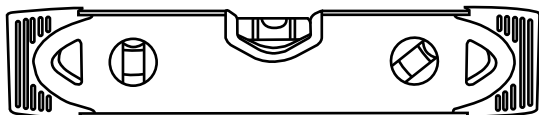
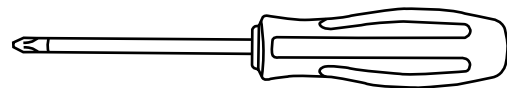
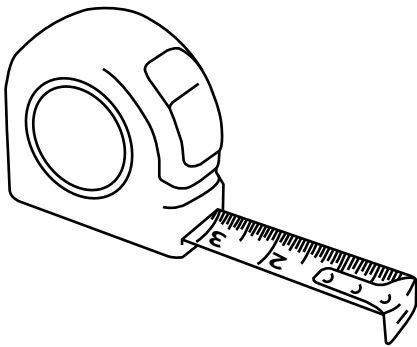
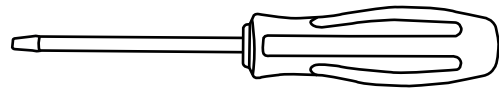
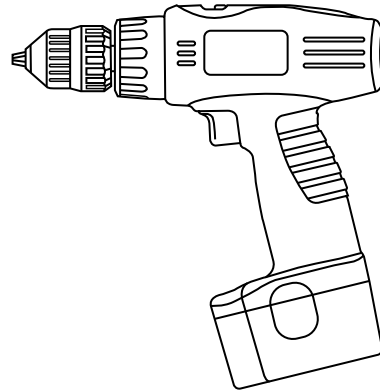
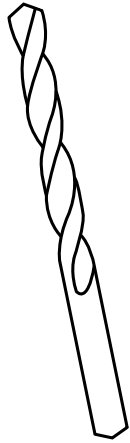


Installation Guide

 Style may vary

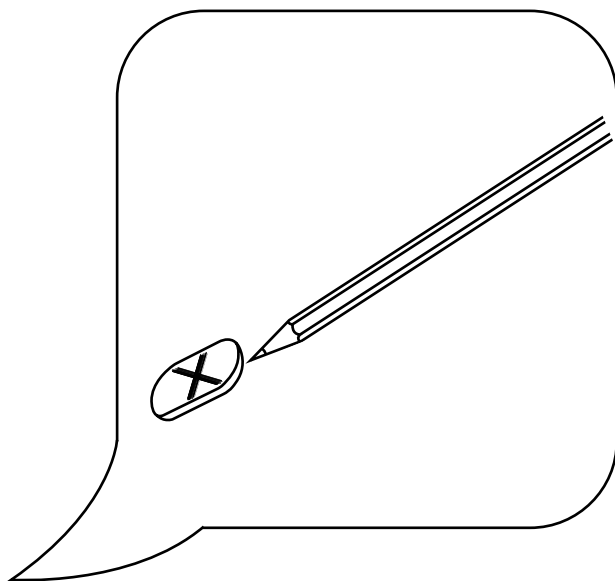
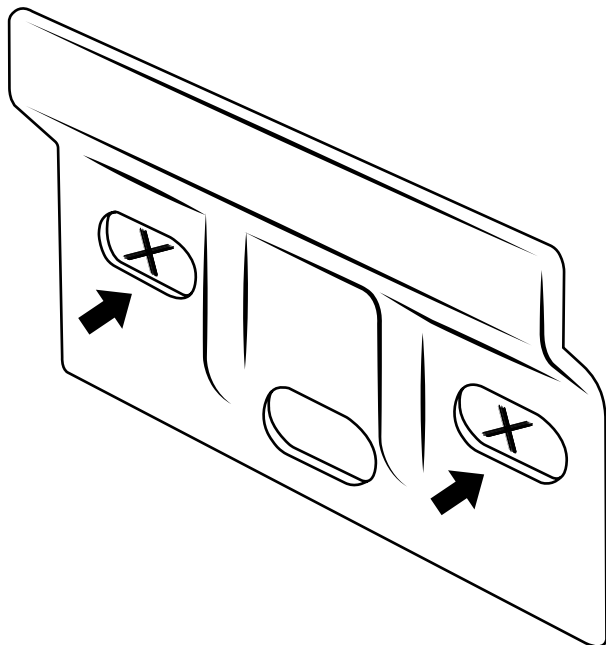
Installation

Tools required for installing:

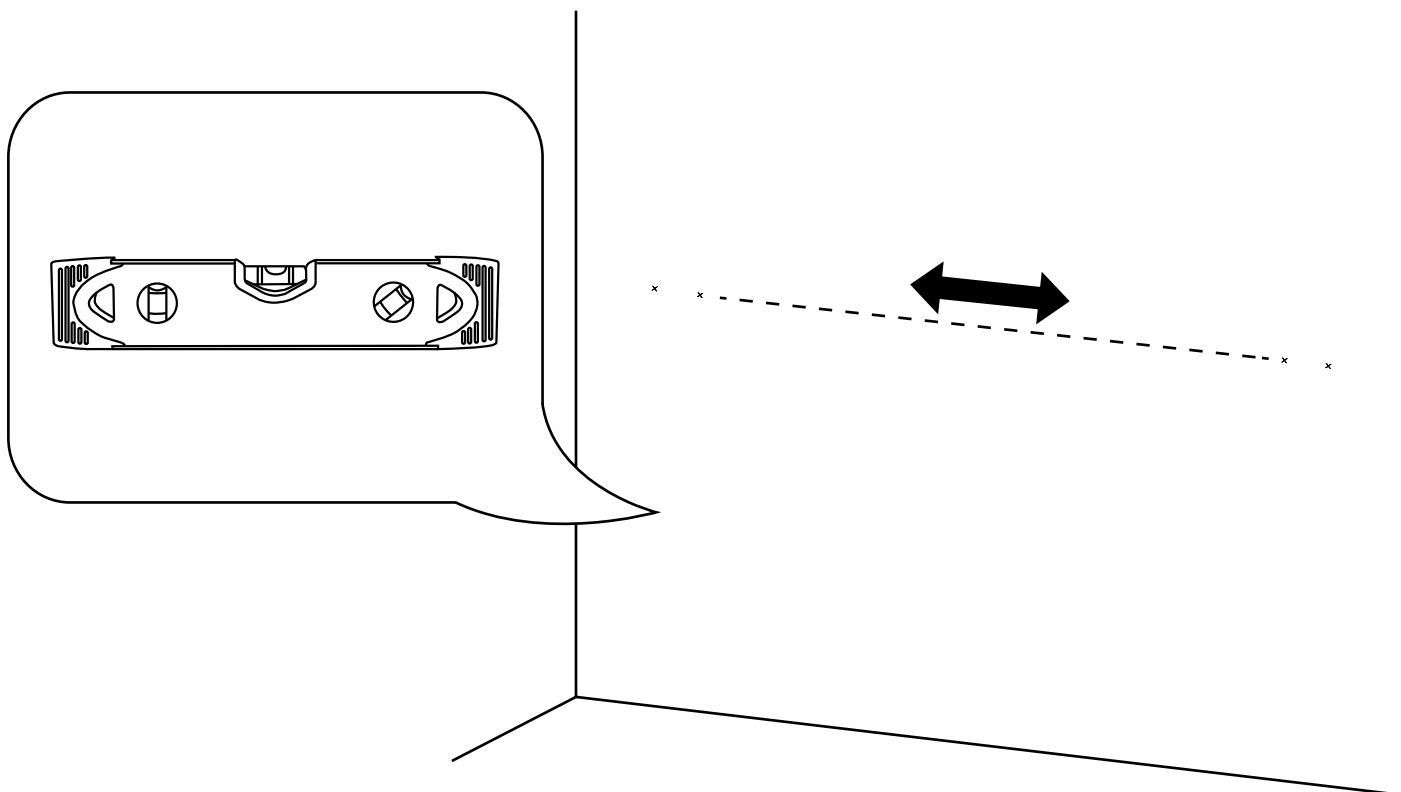


Wall Mounting:

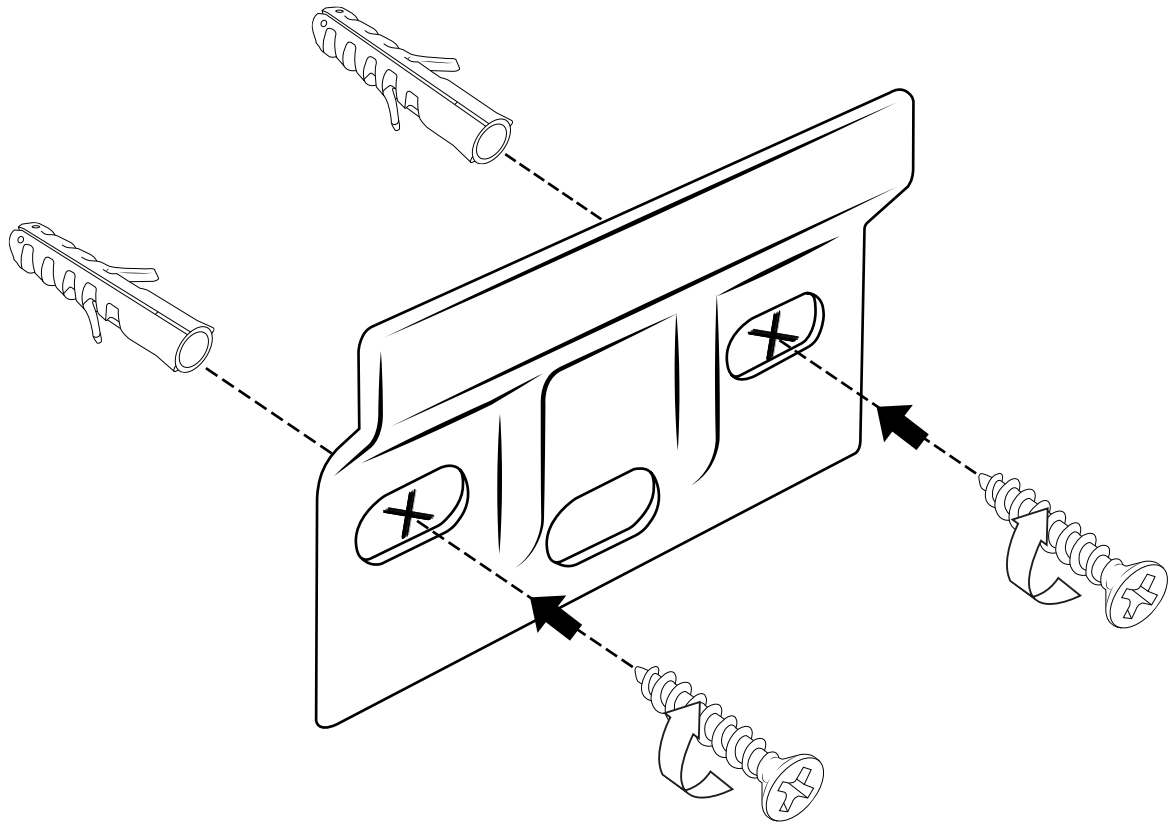
1



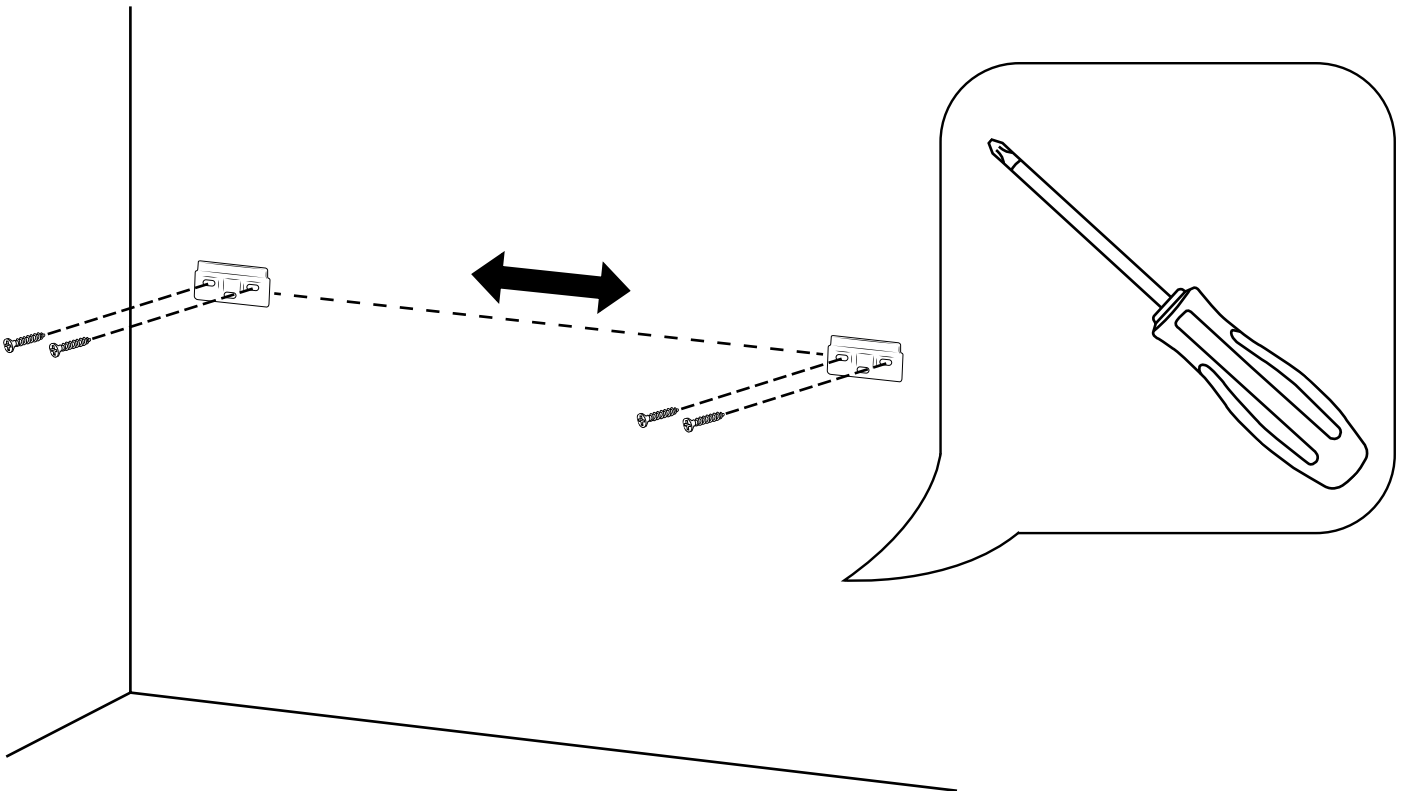
2



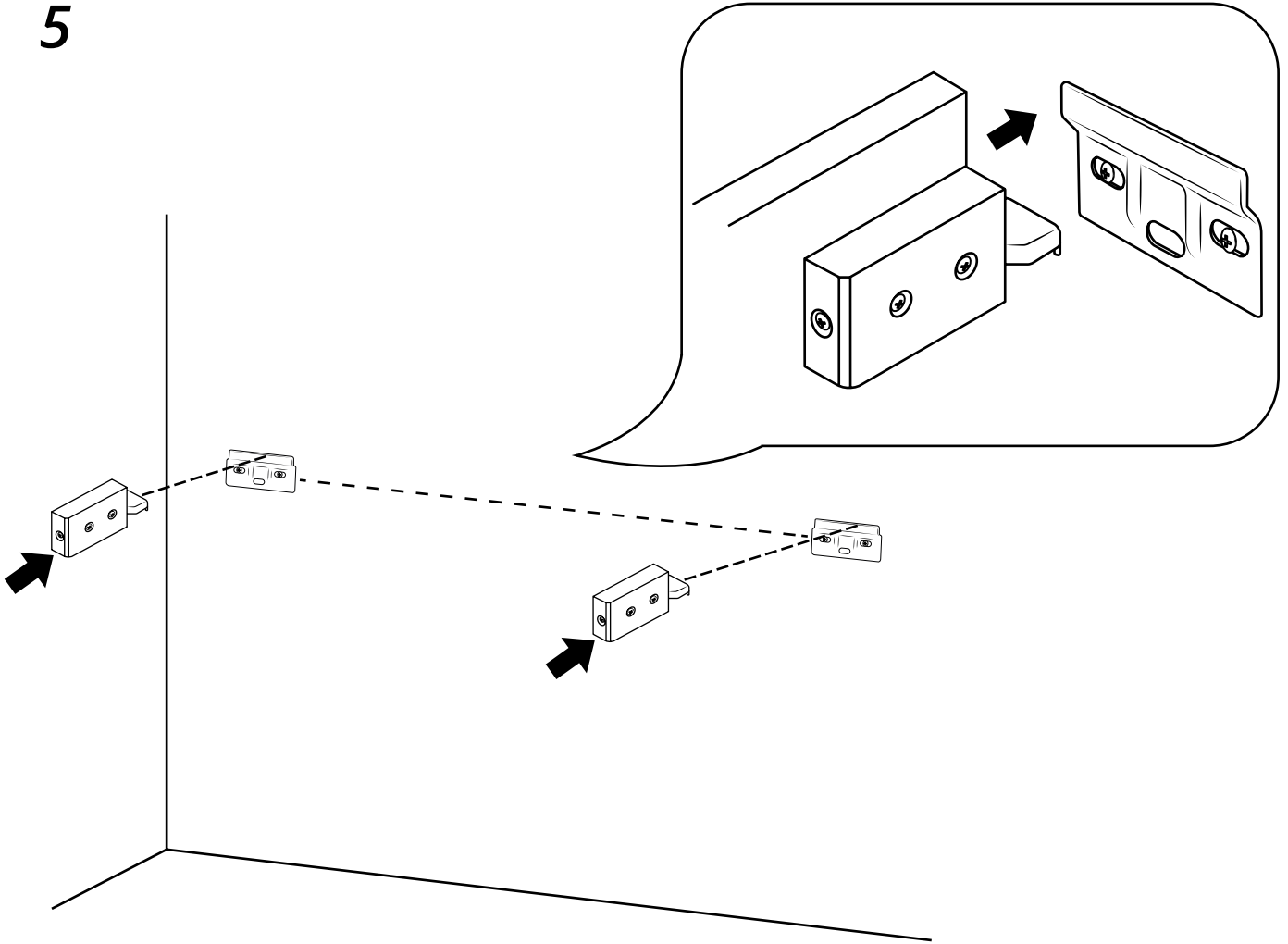
3



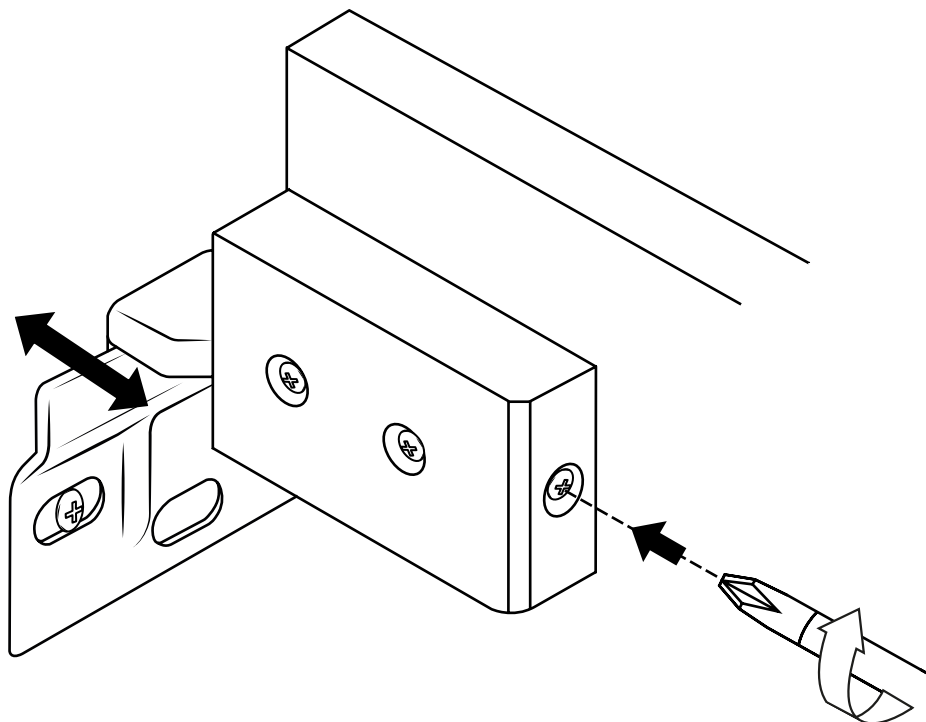
4



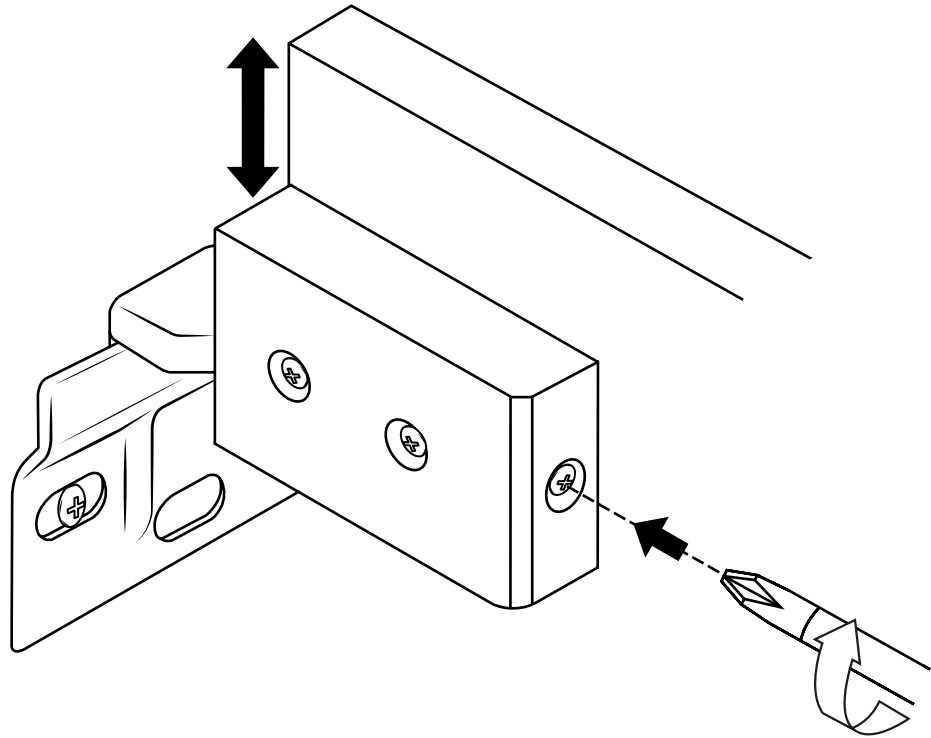
5



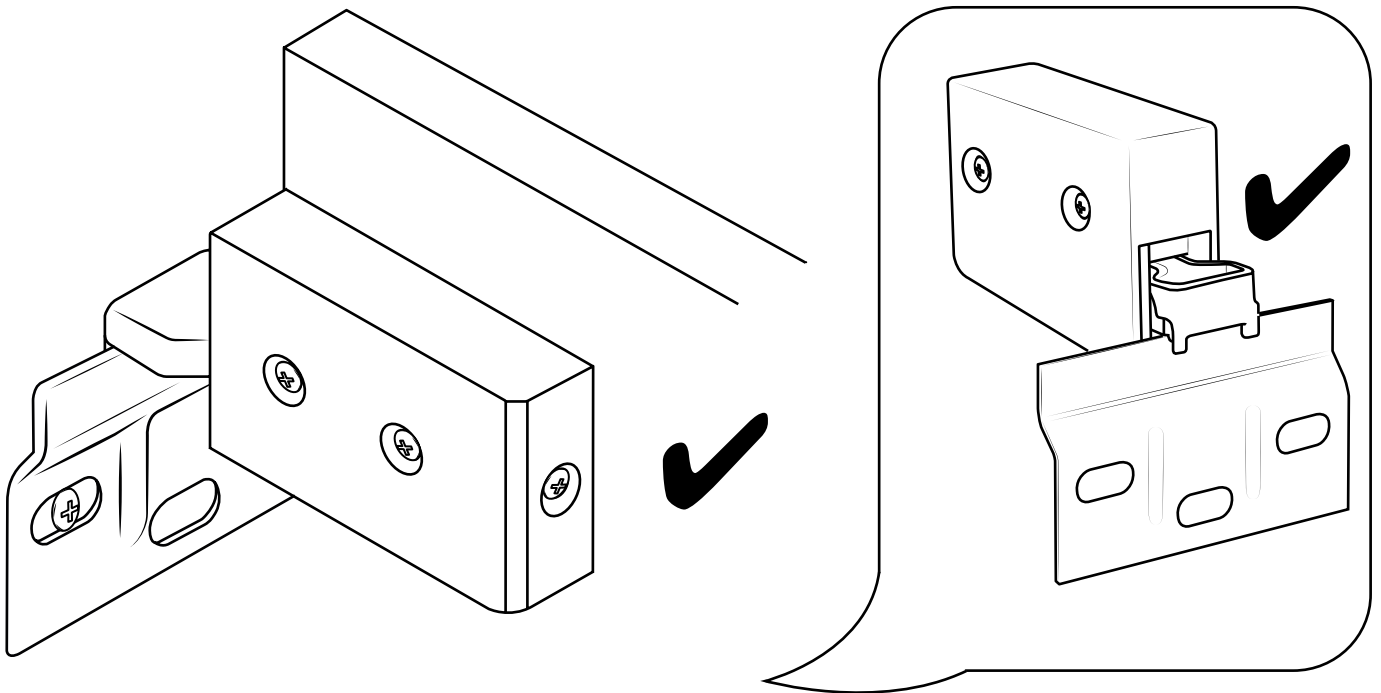
6



7

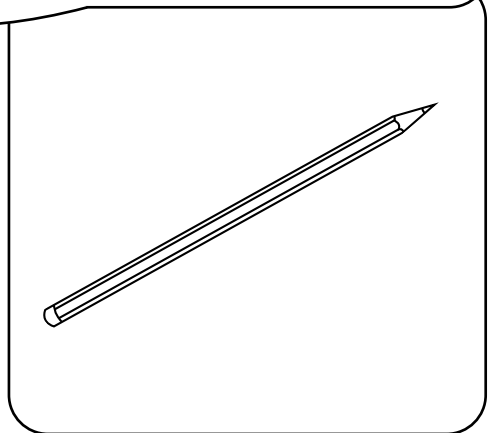
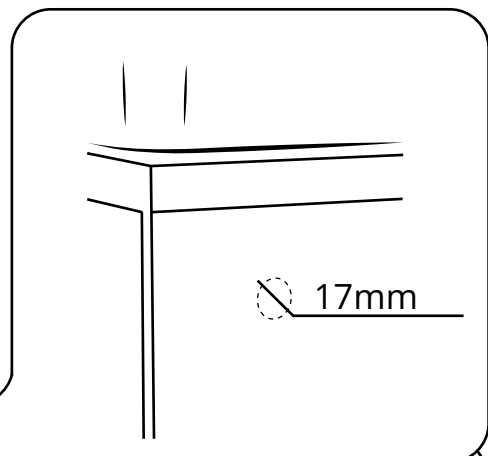
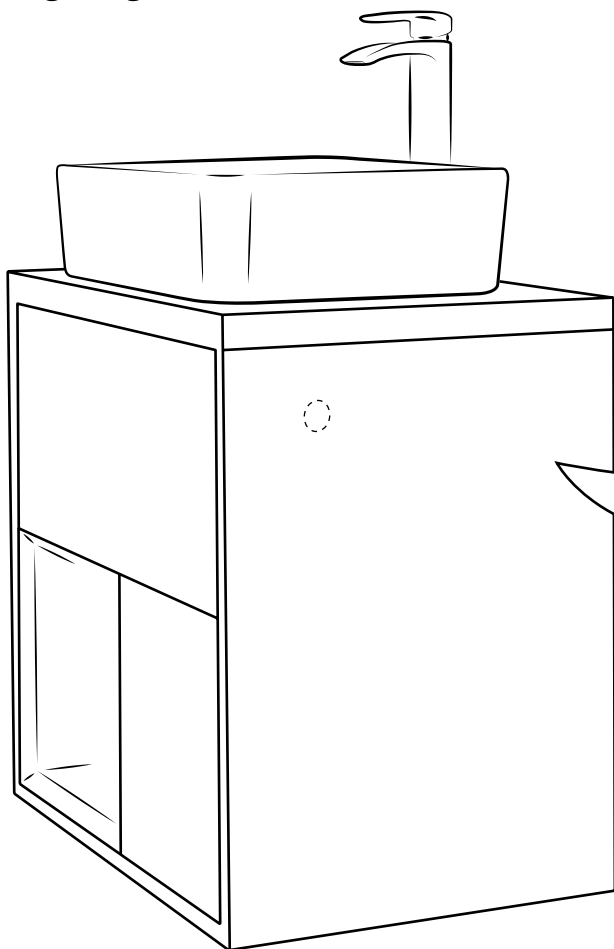


8

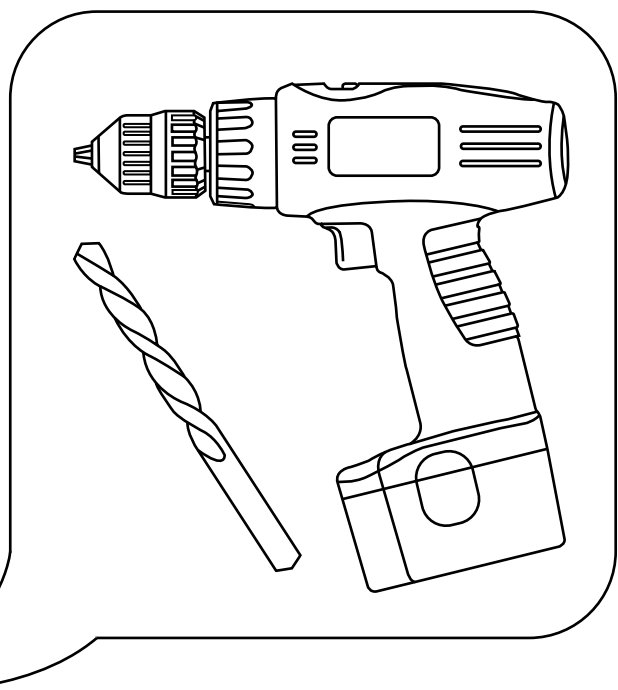
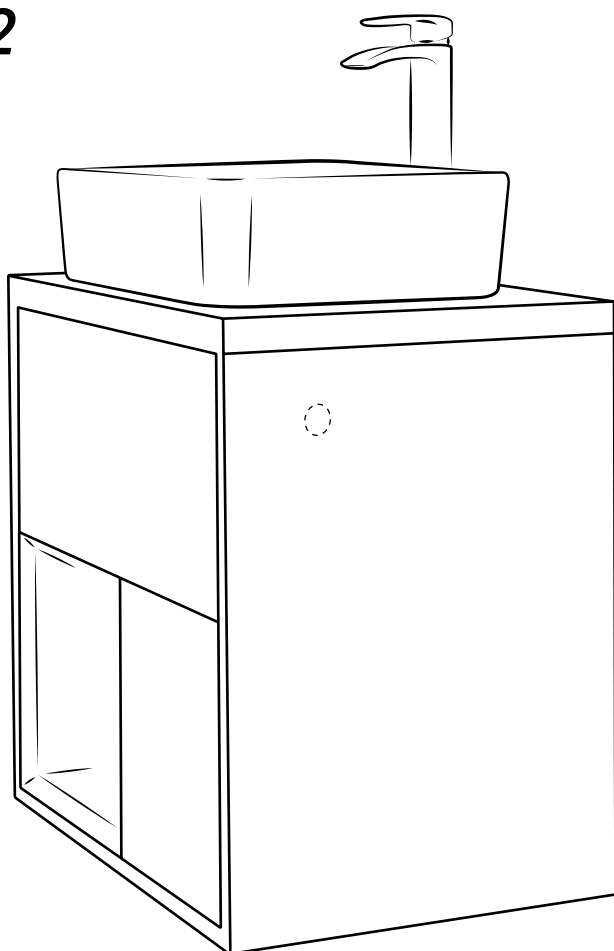


Optional Lighting:

1

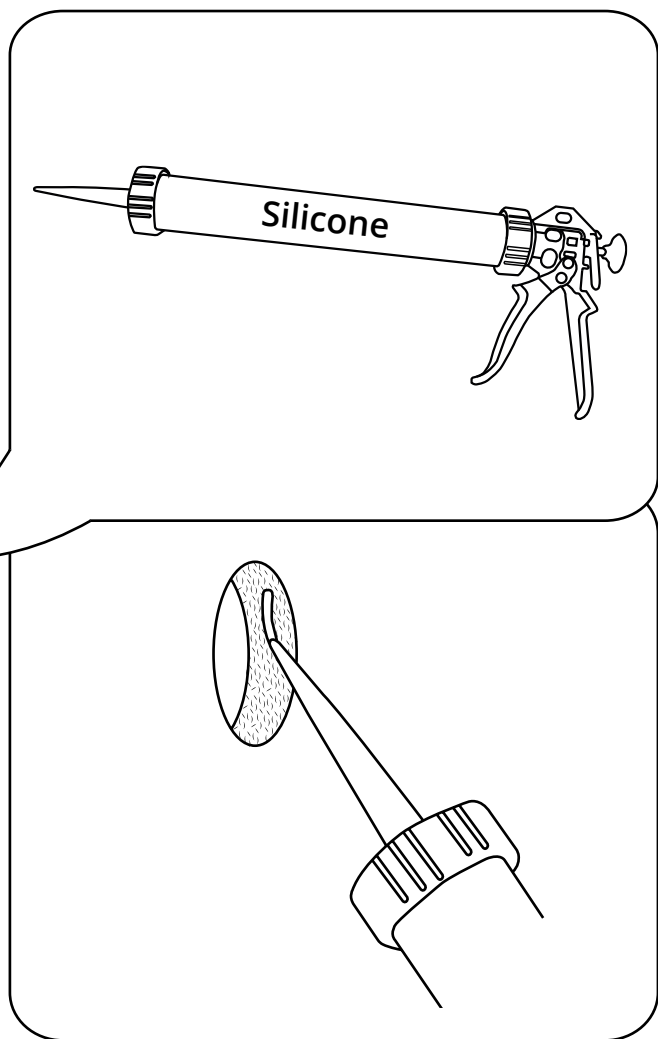
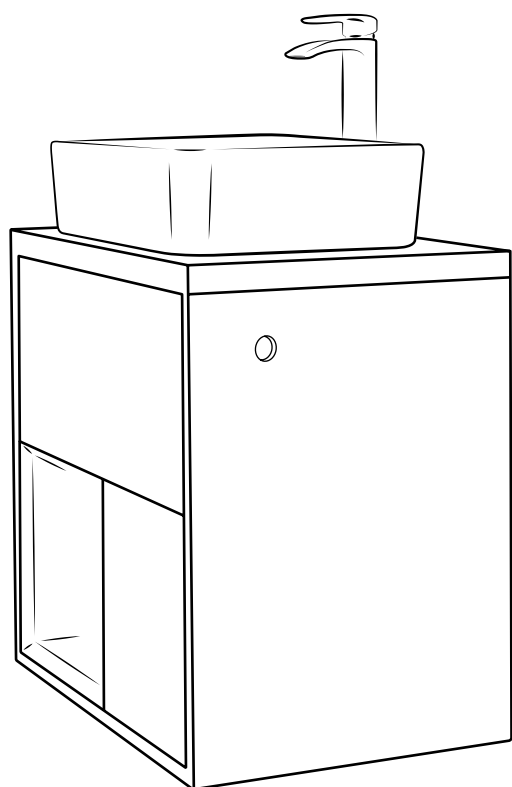


2

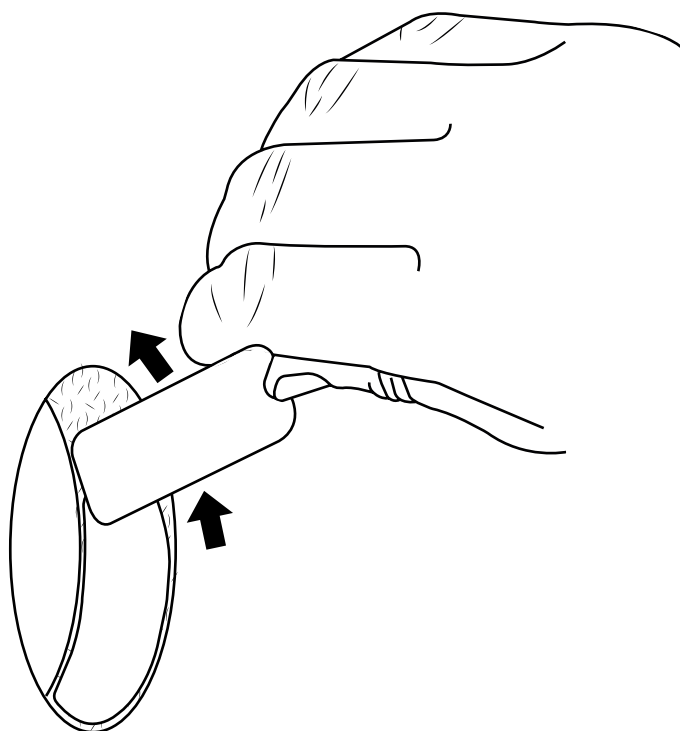


i Style may vary

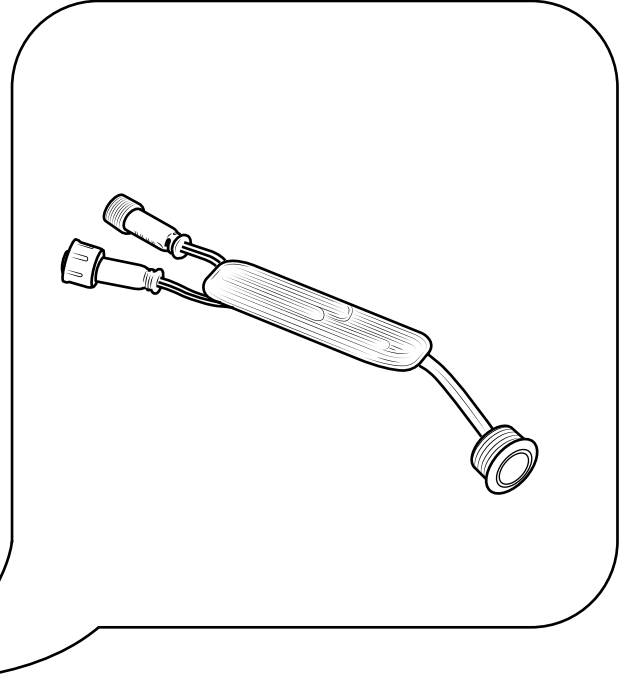
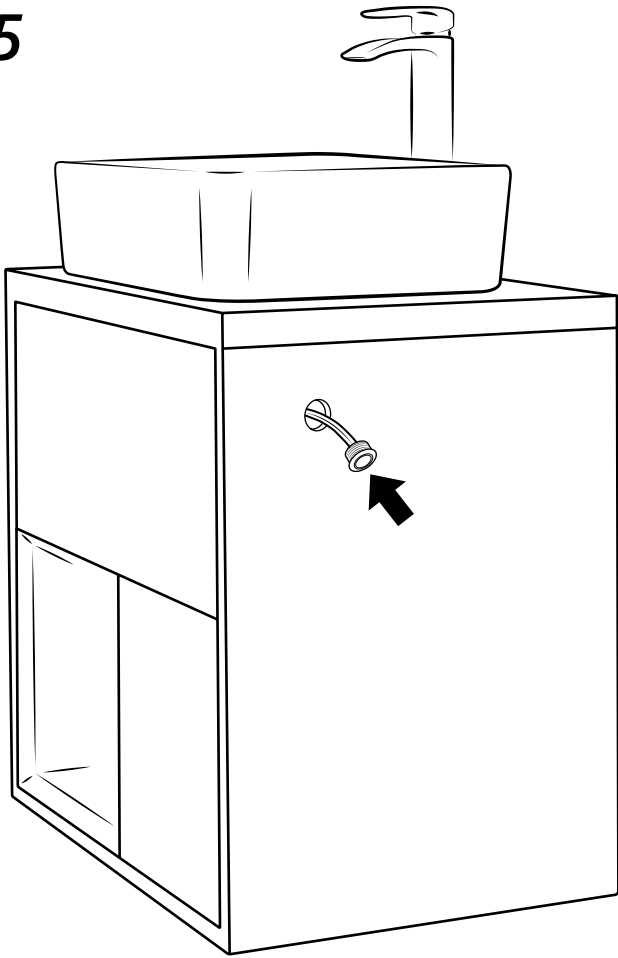
3



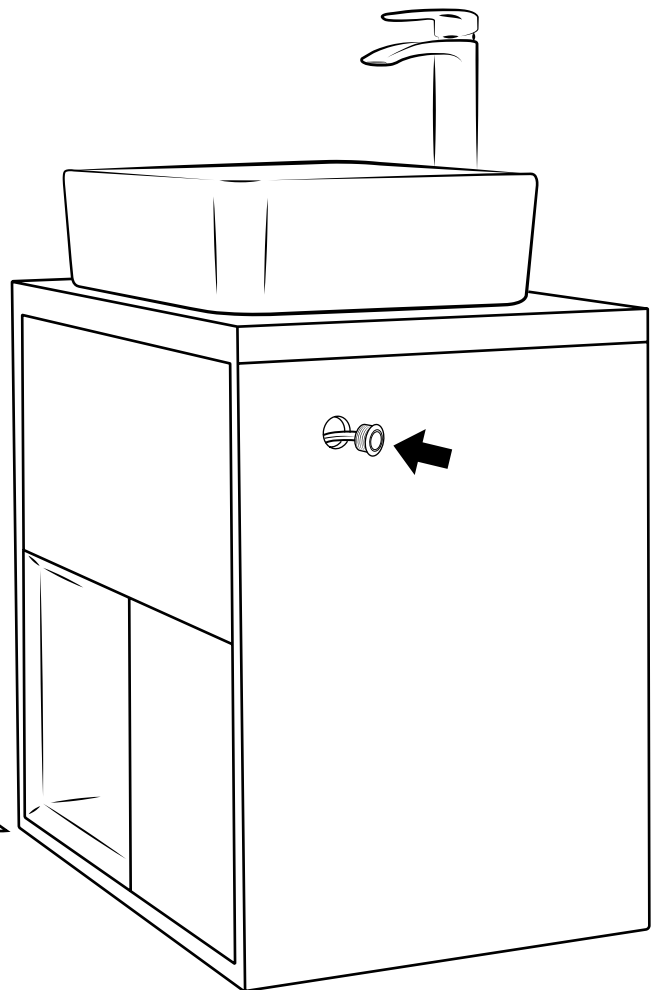
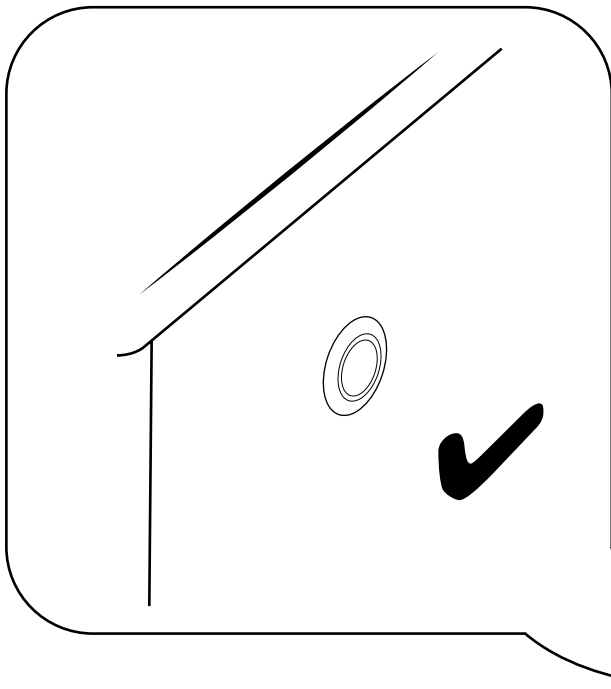
4



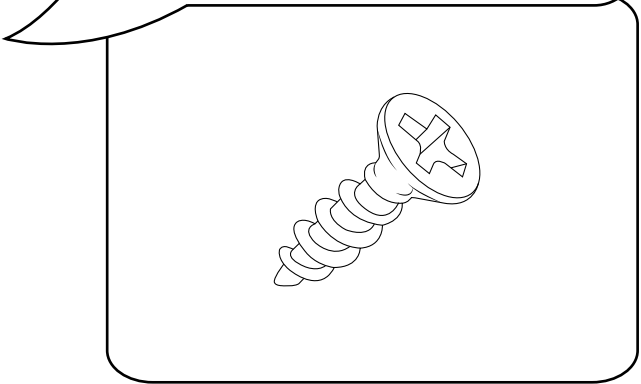
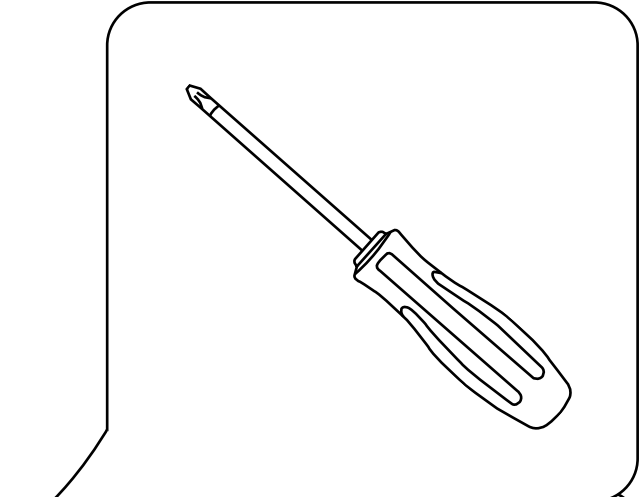
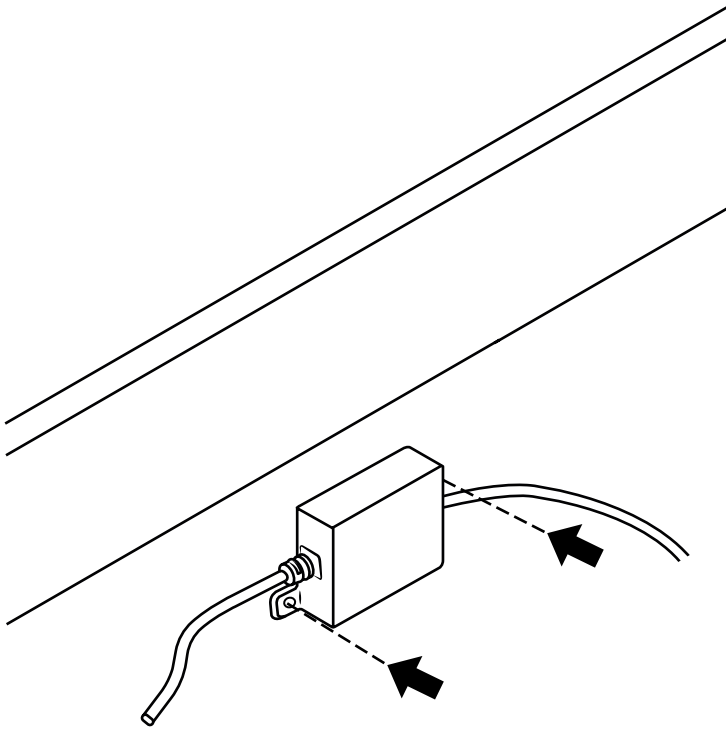
5



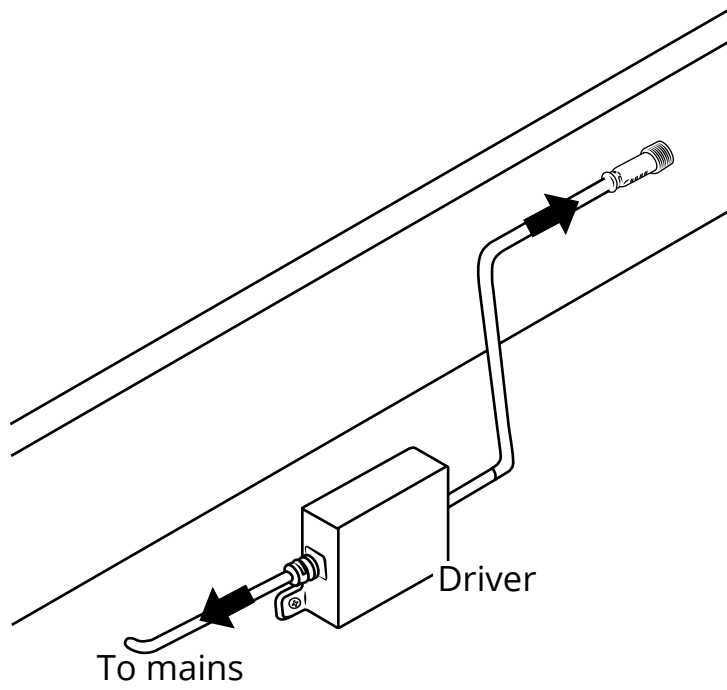
6



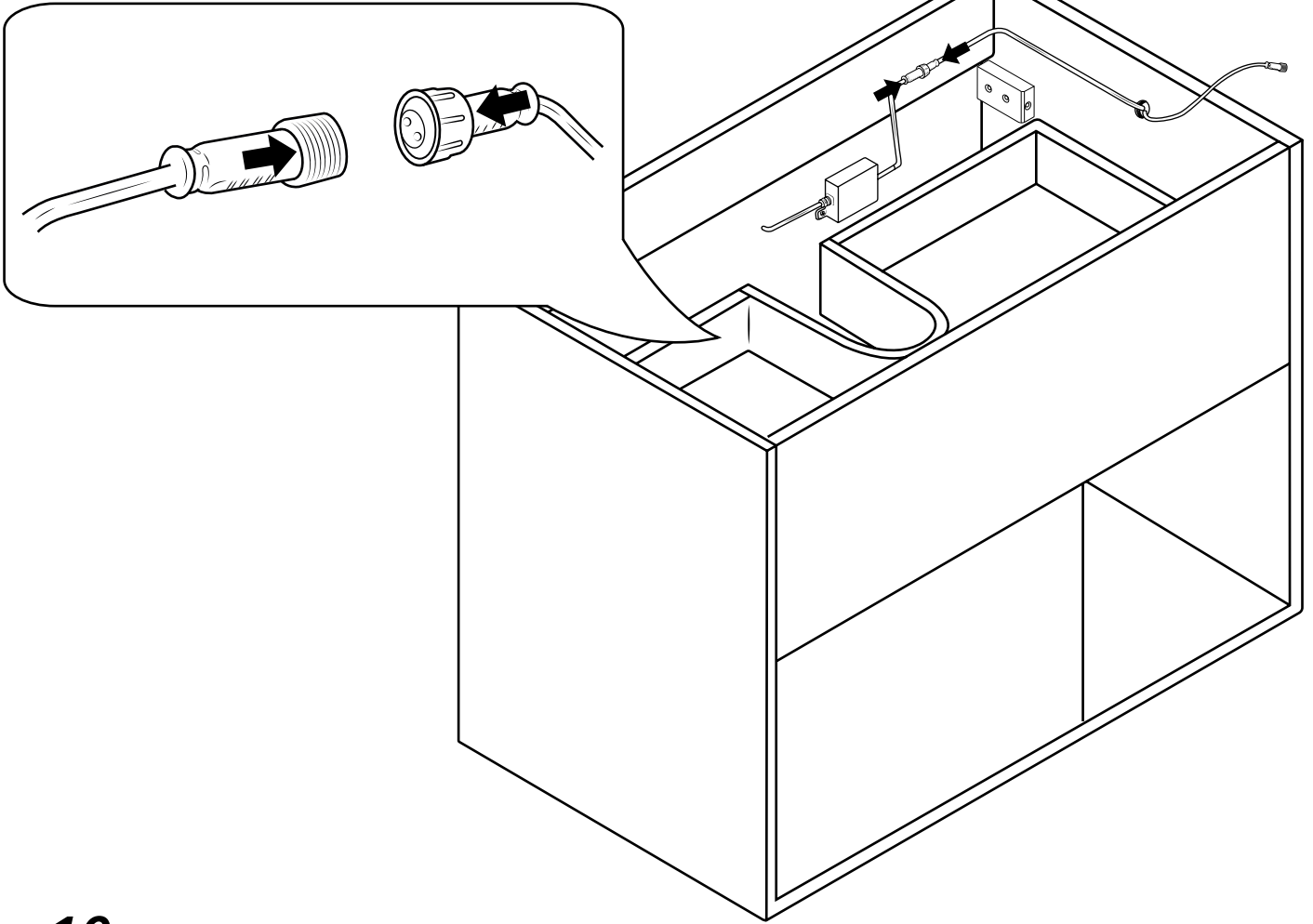
7



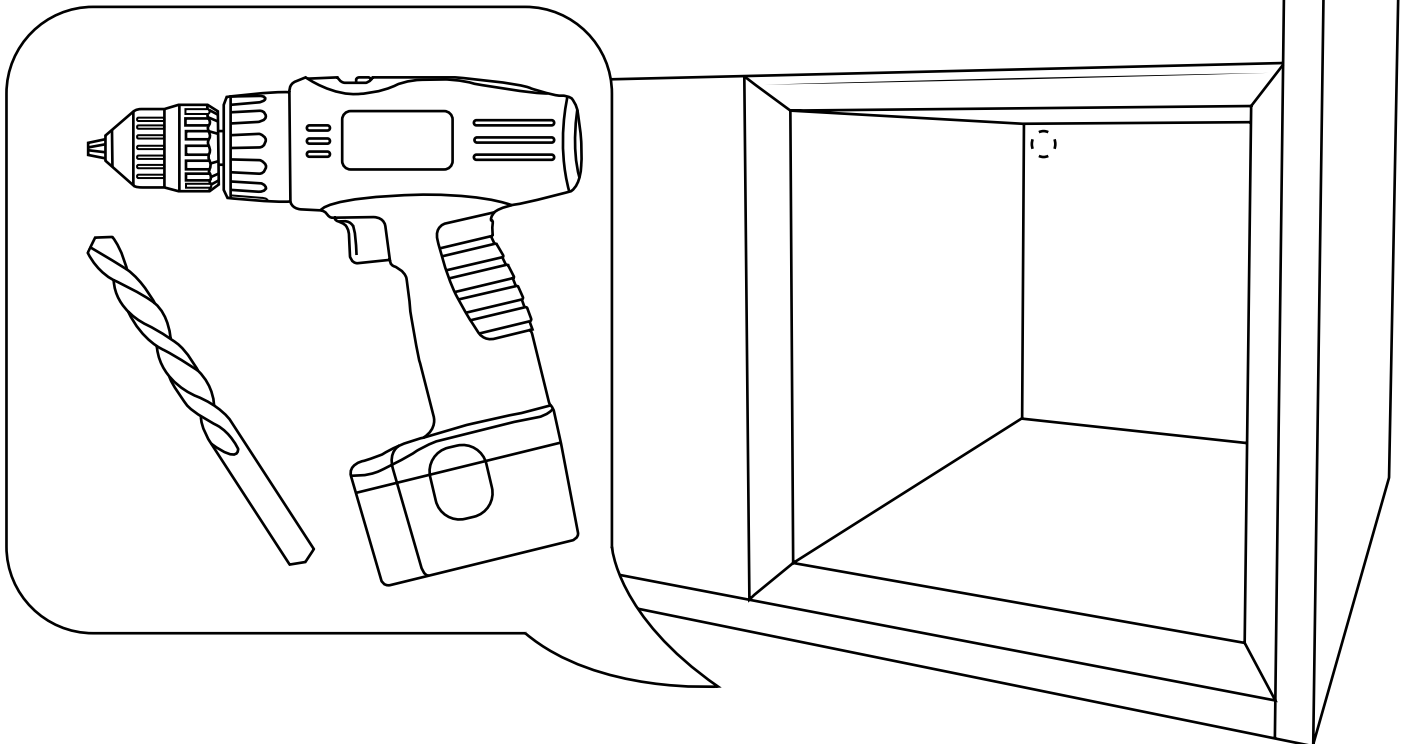
8



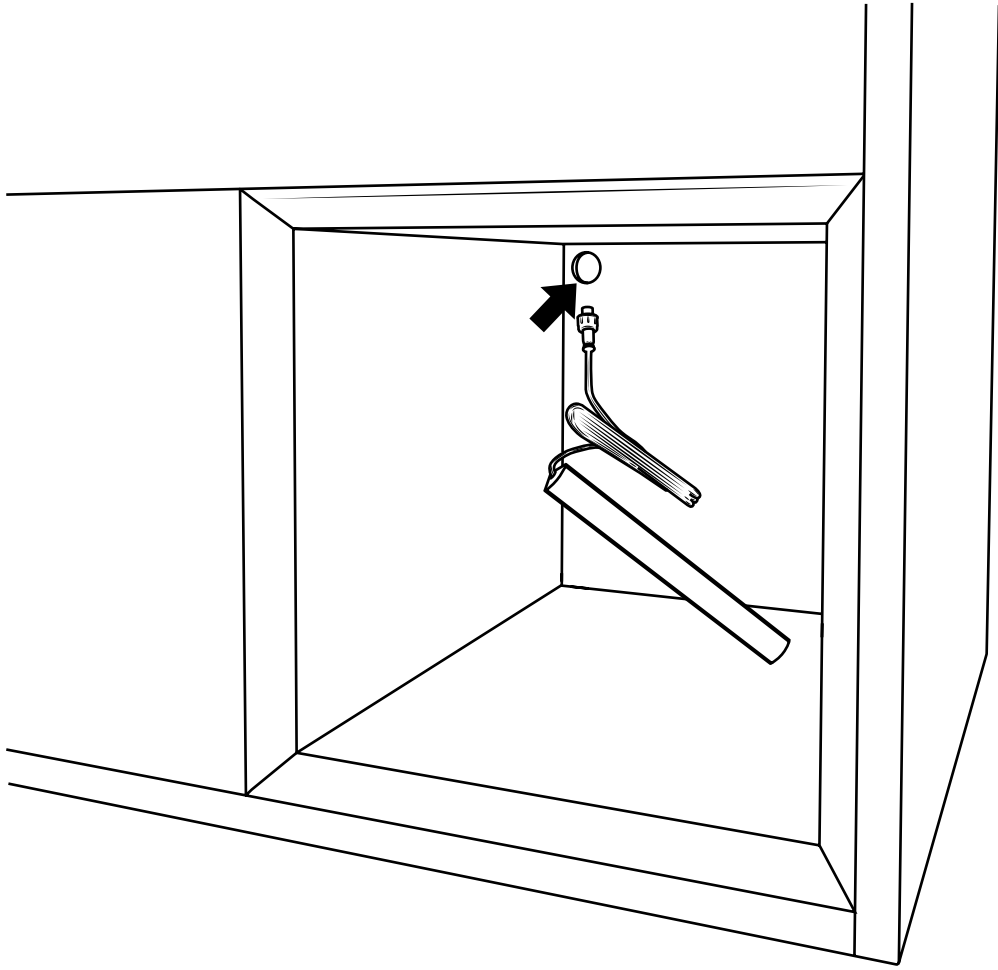
9



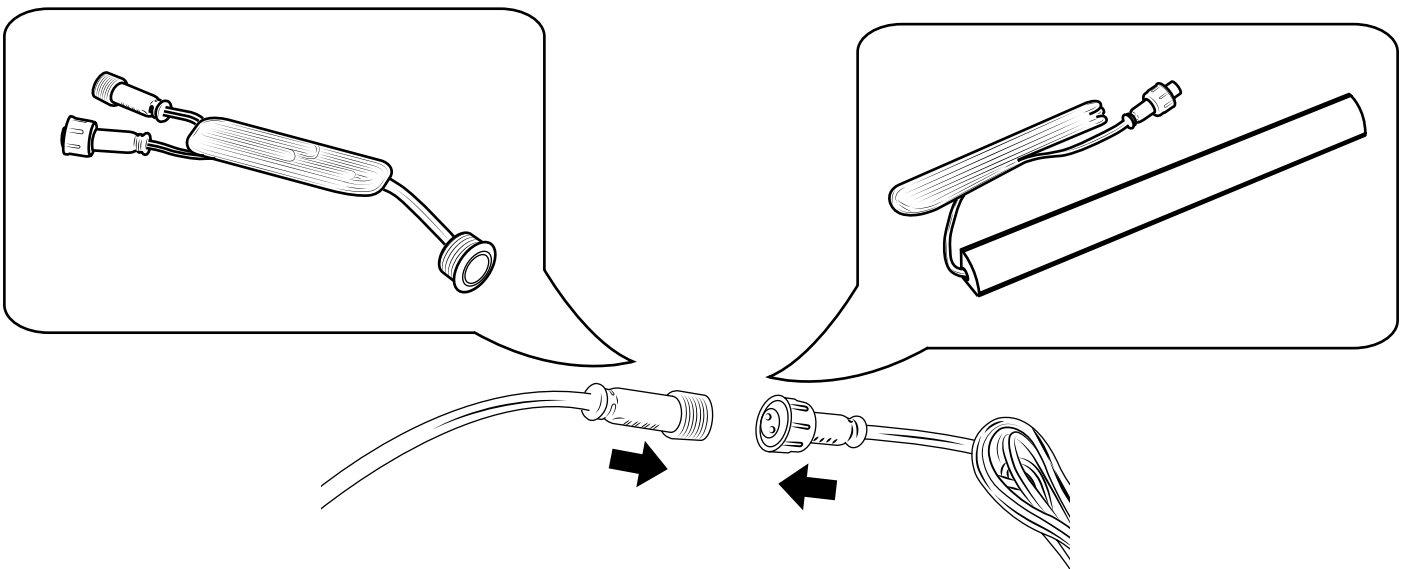
10



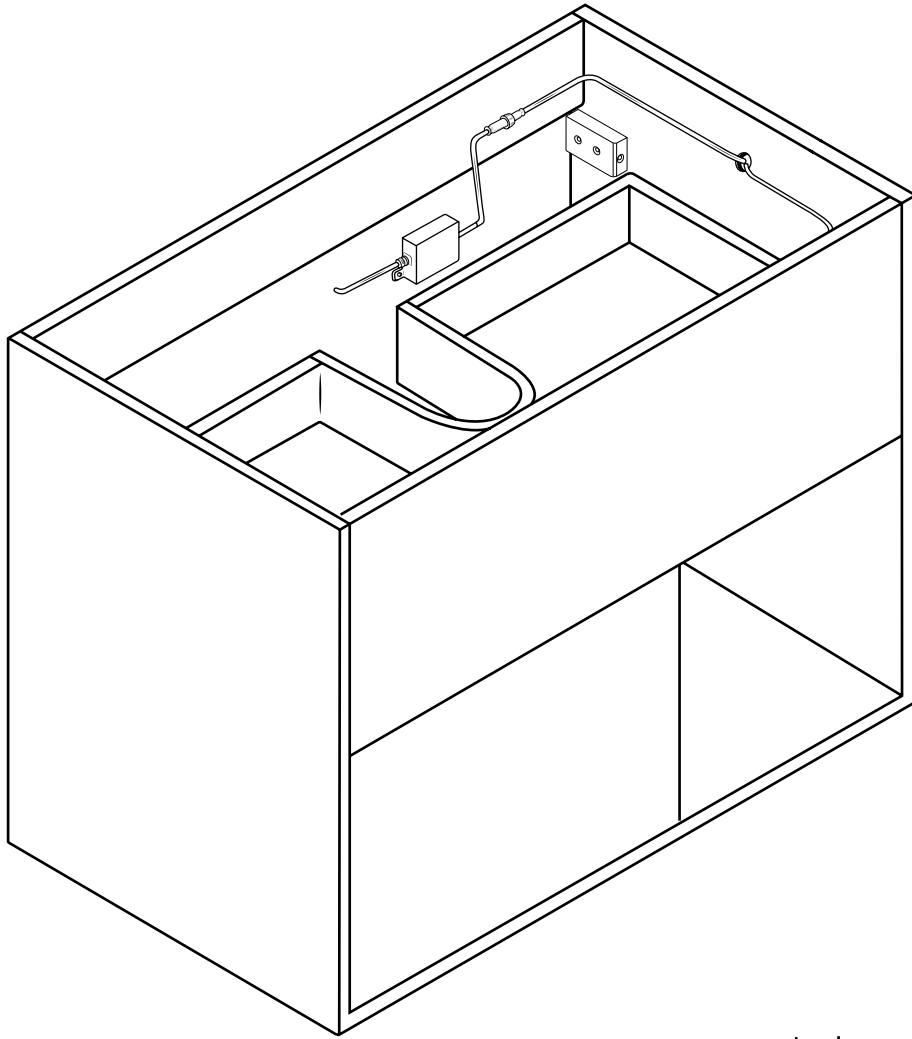
11



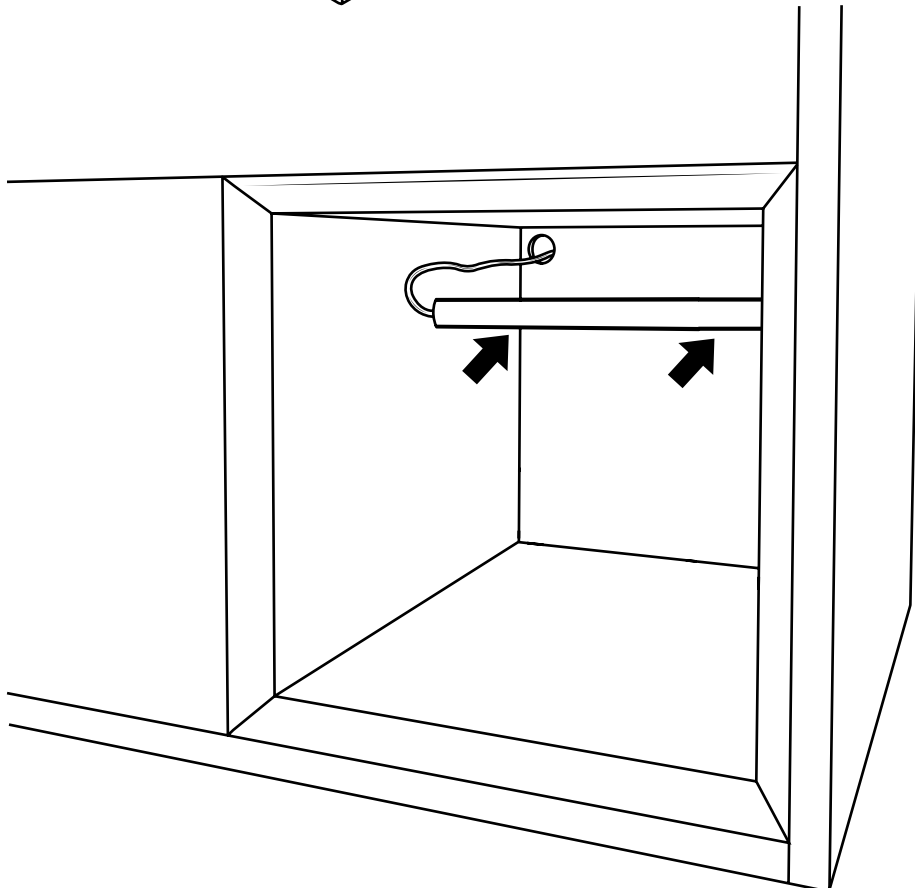
12



13

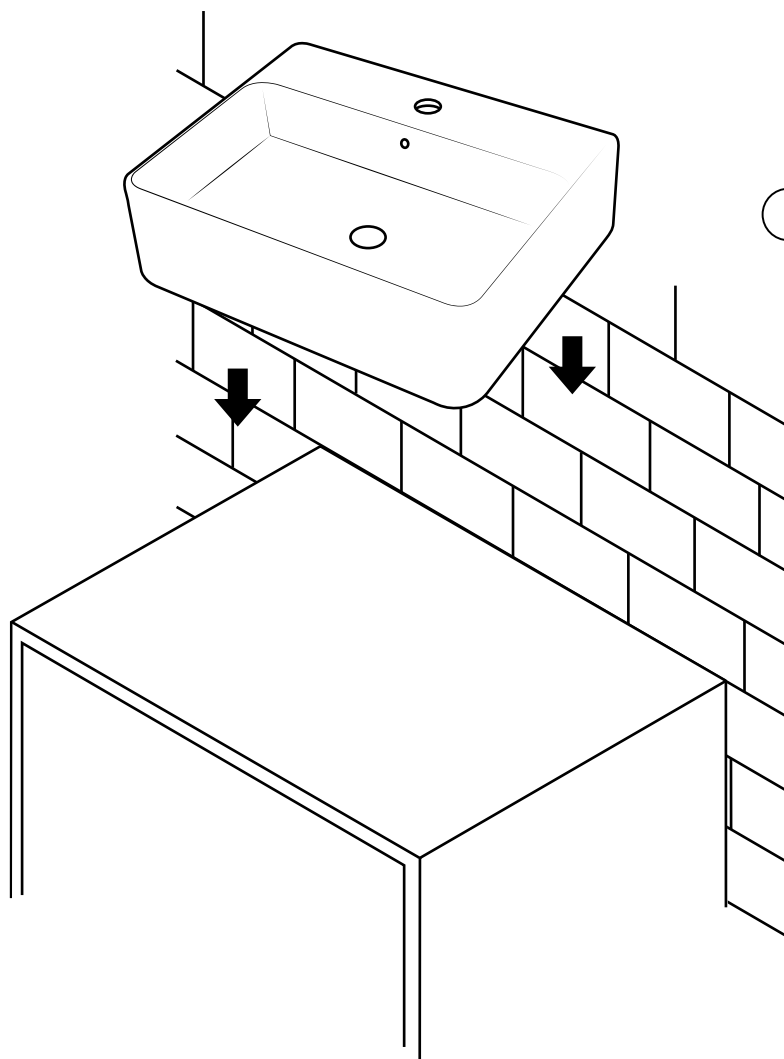


14



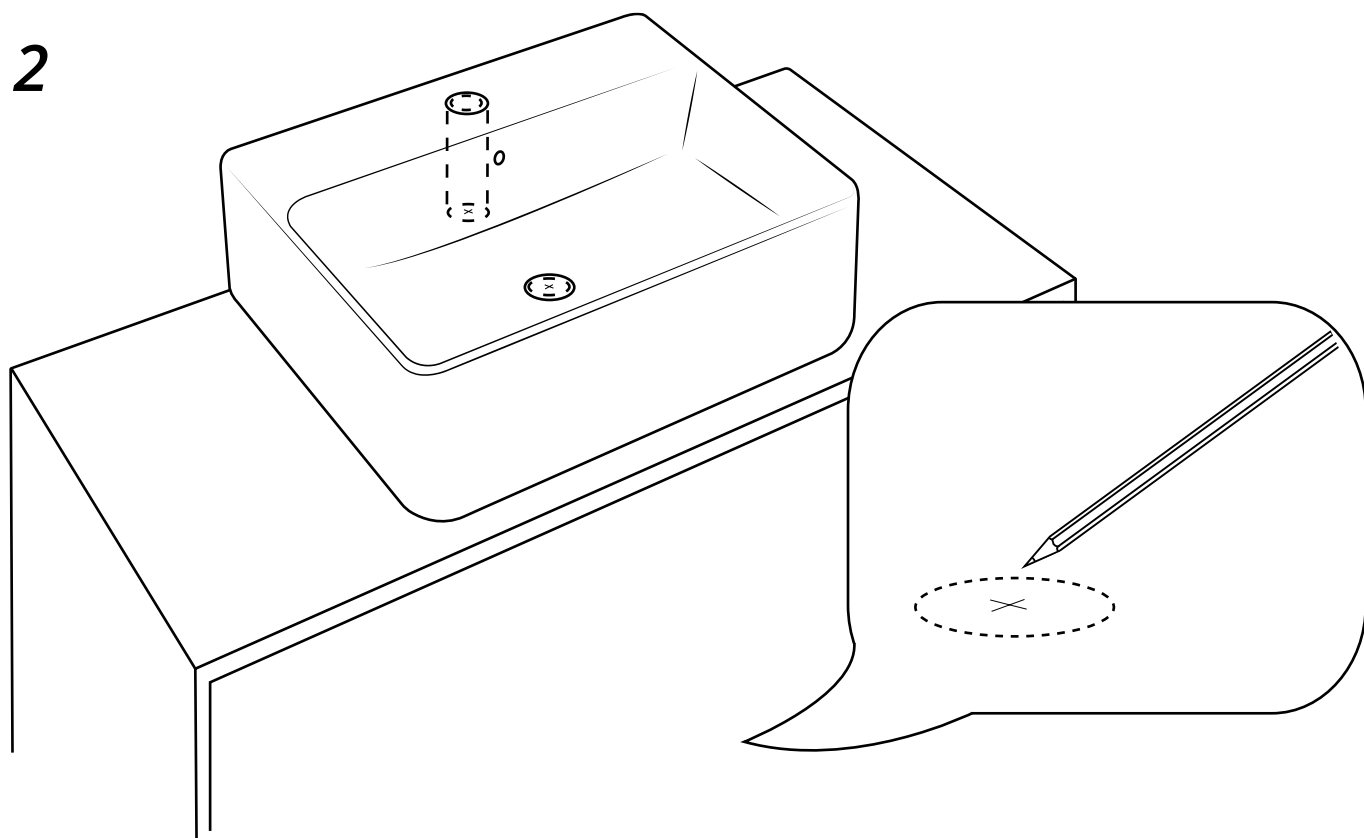
Fitting a basin:

1

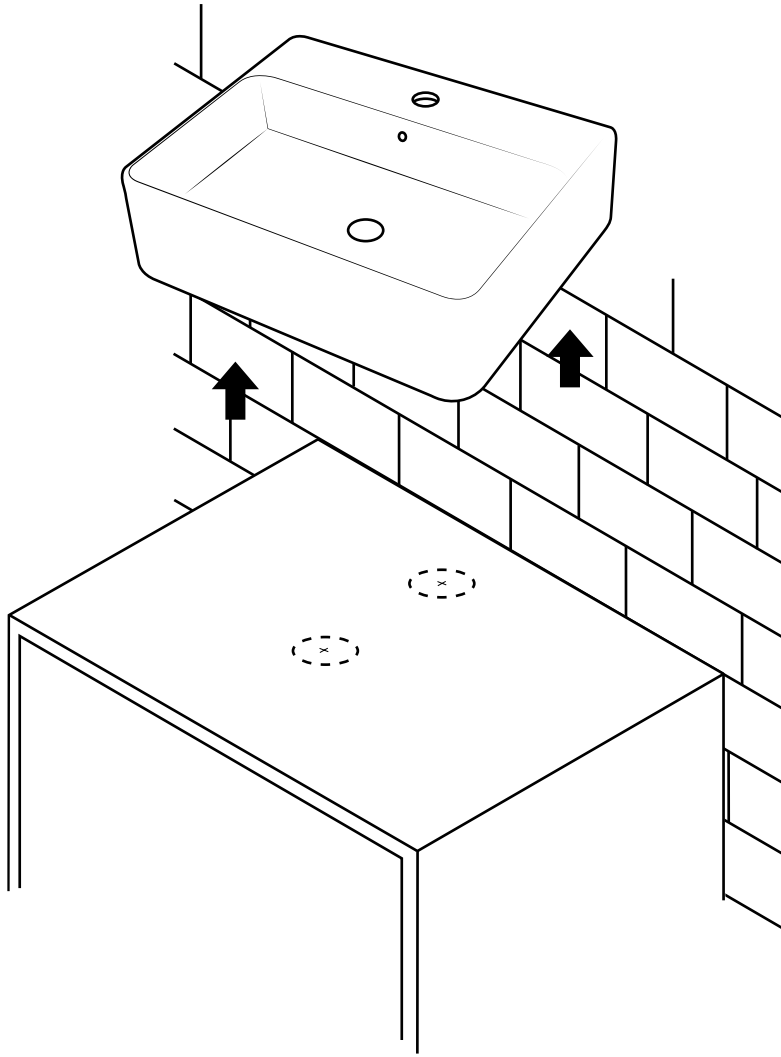


i Style may vary

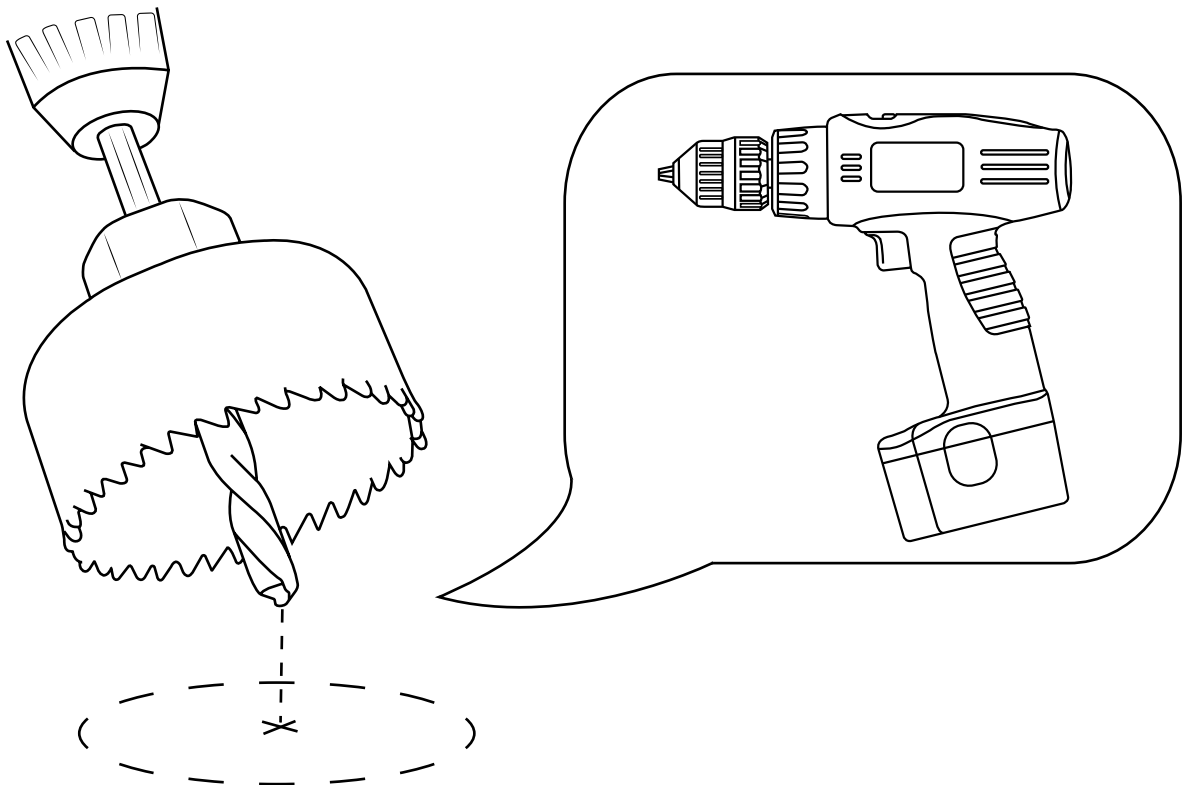
2



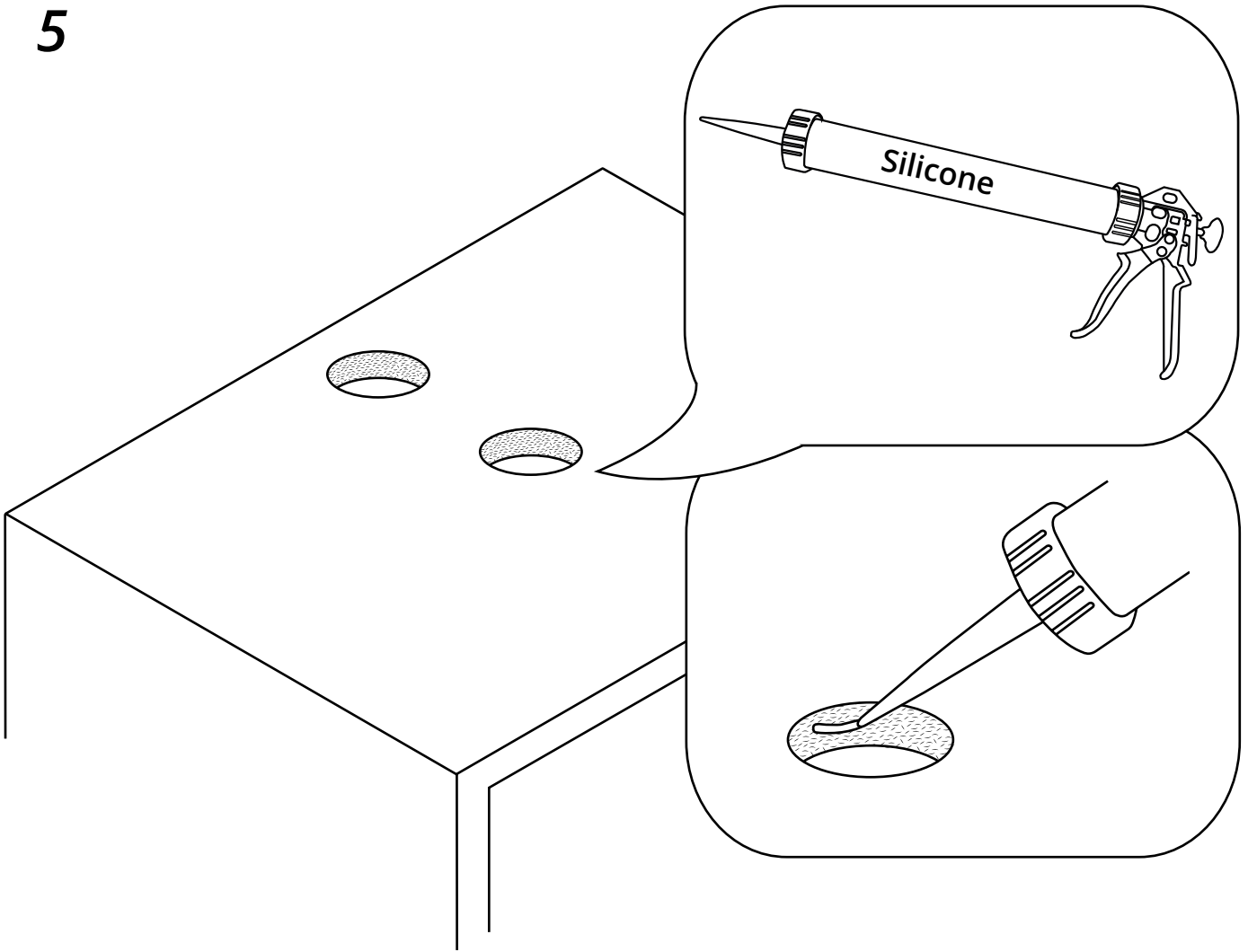
3



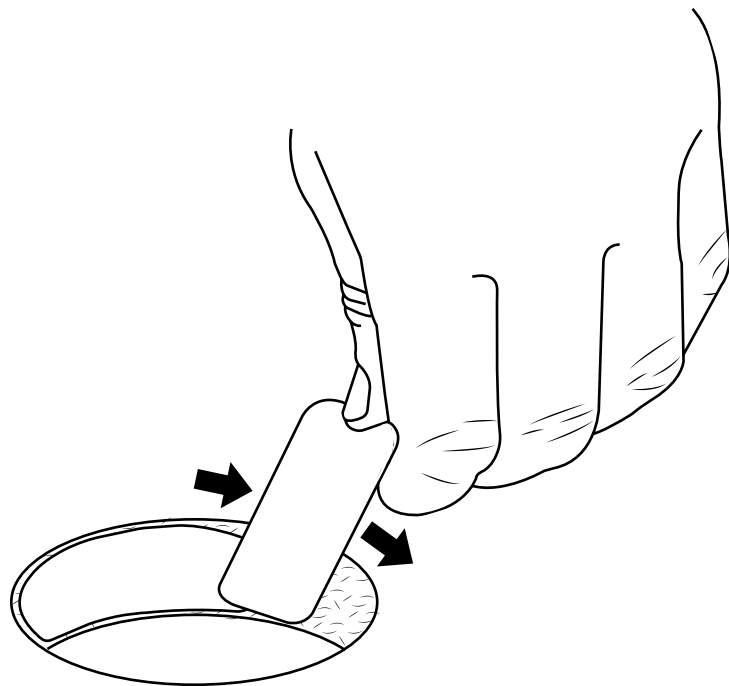
4



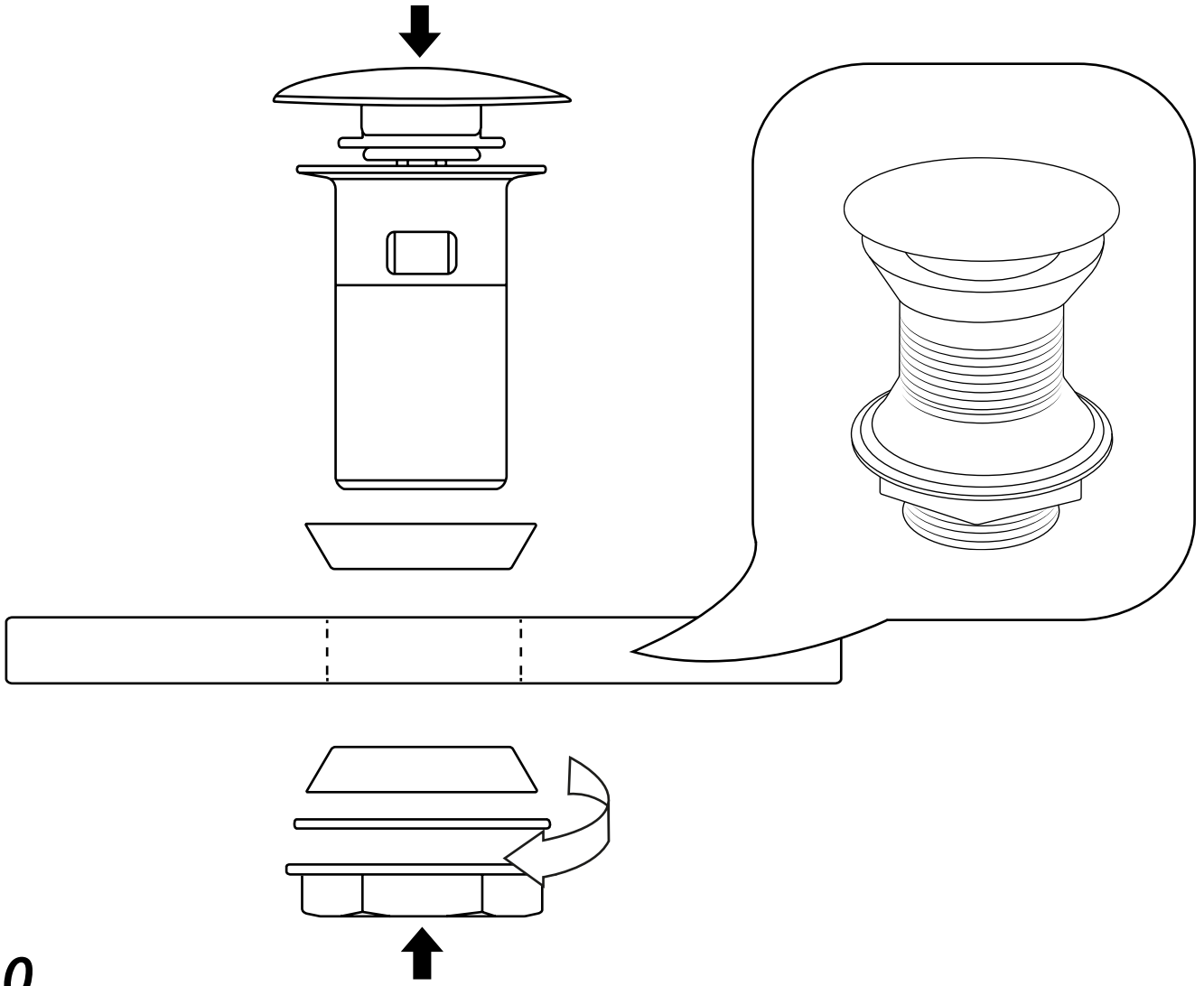
5



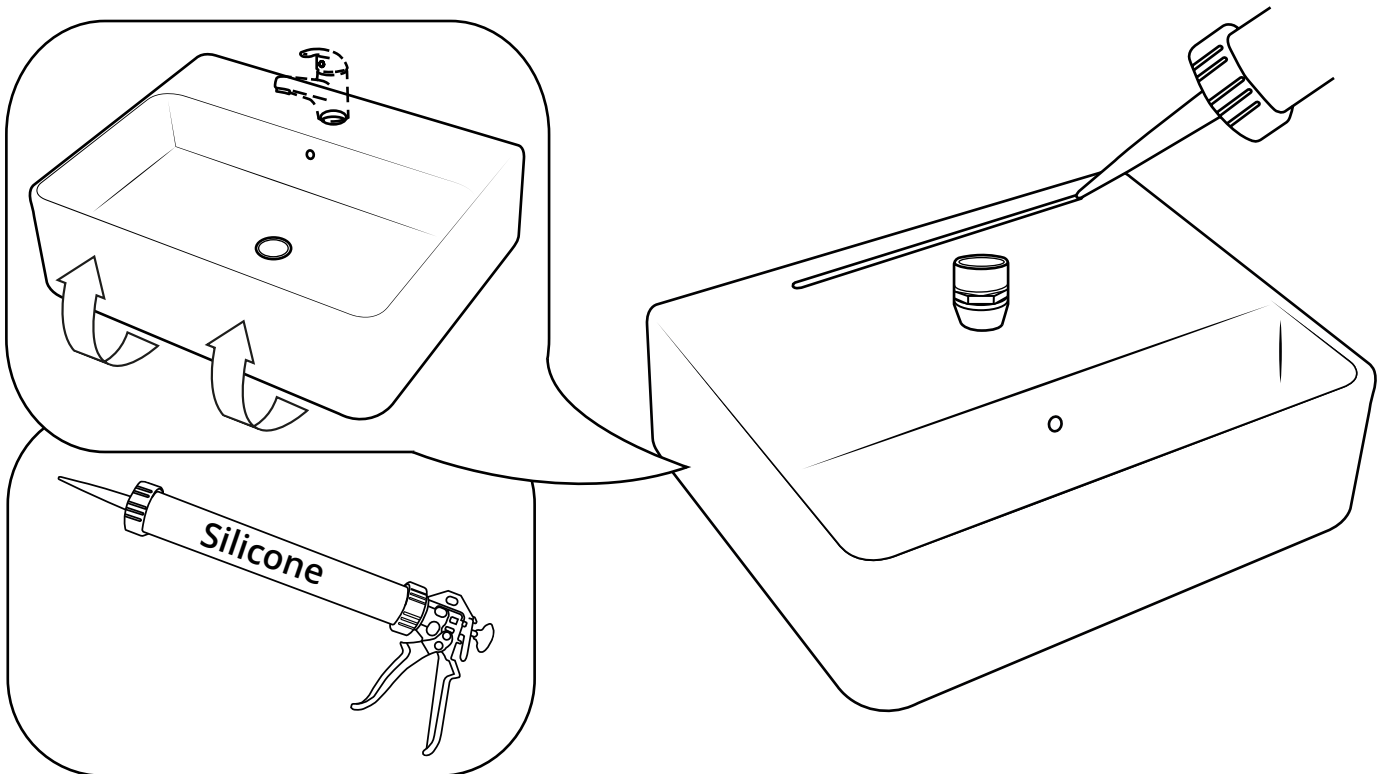
6



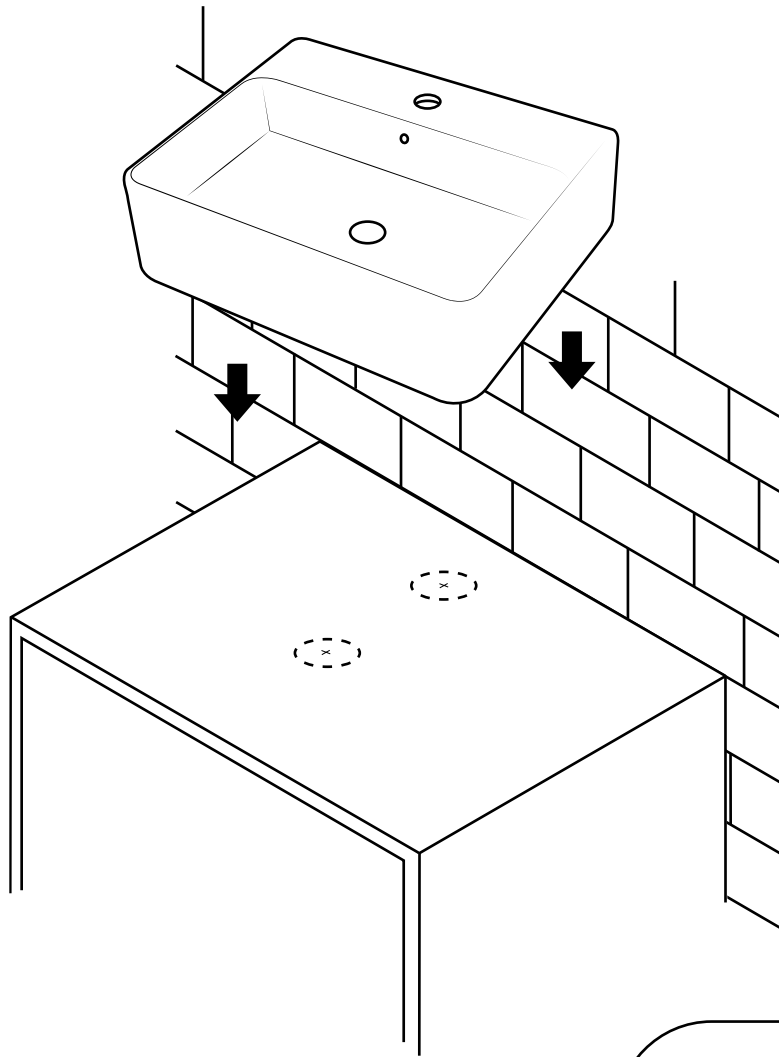
9



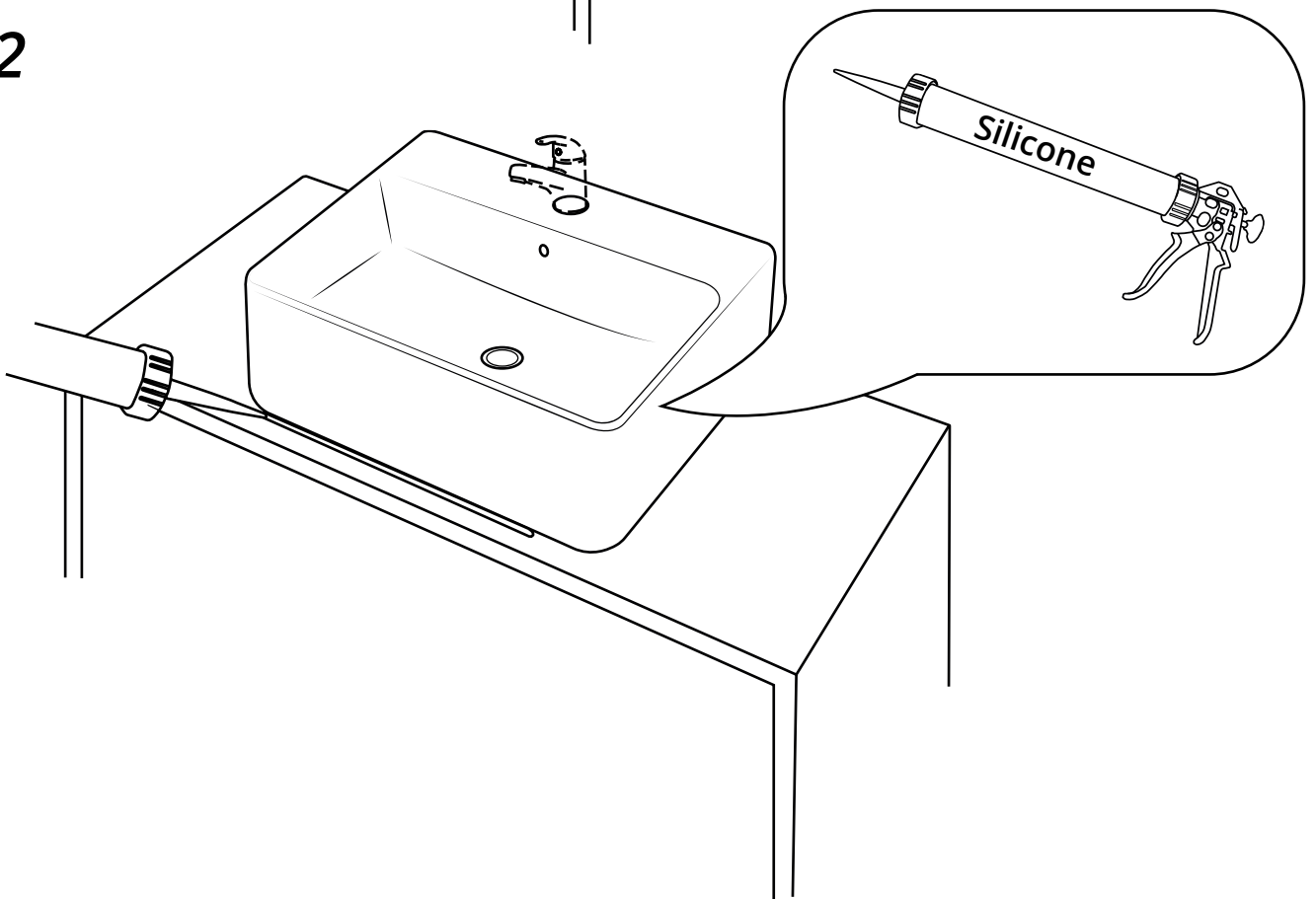
10



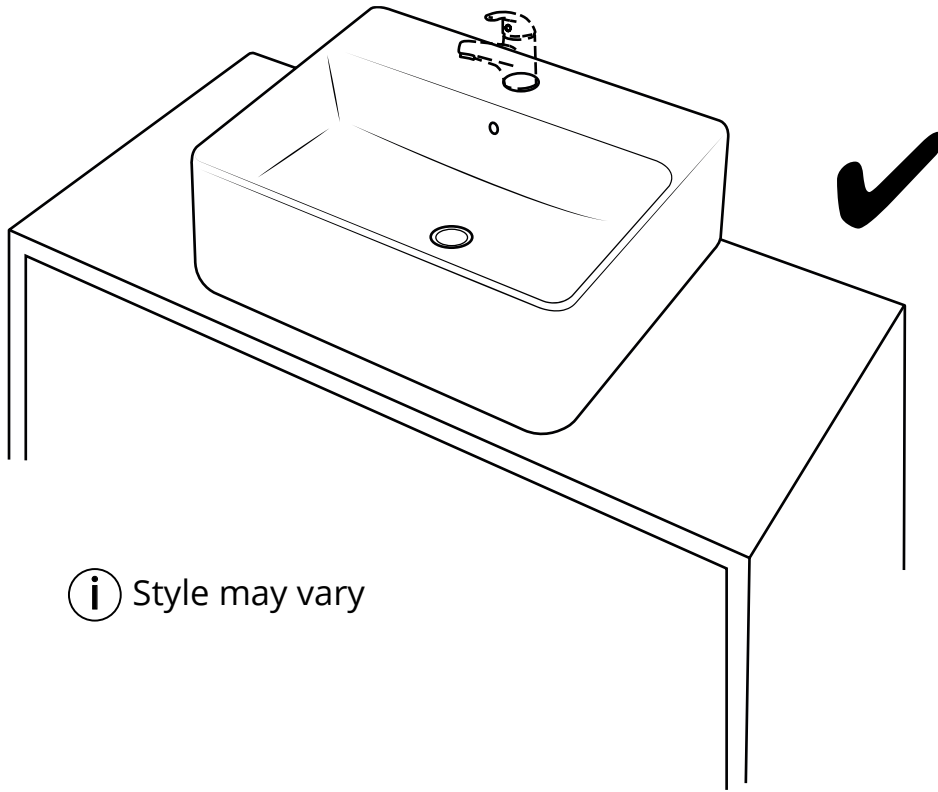
11



12



13



ⓘ Style may vary