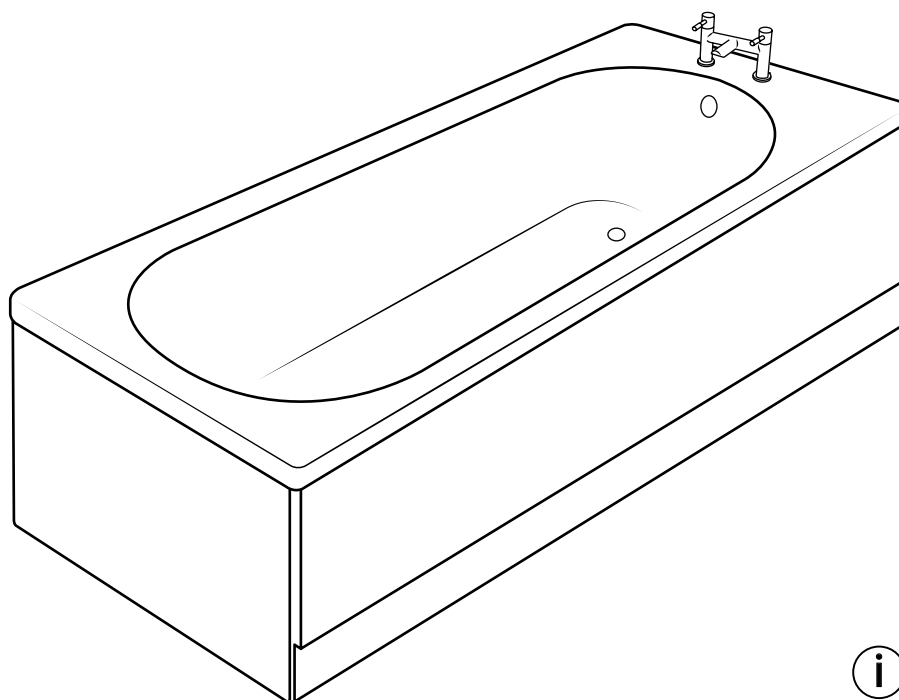



Milano

Bath Panel

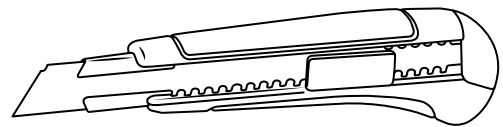
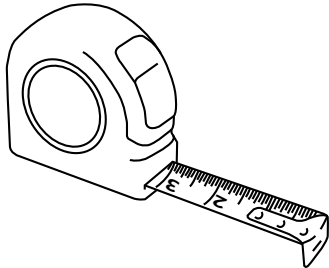
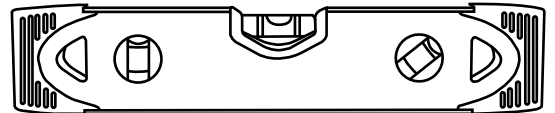
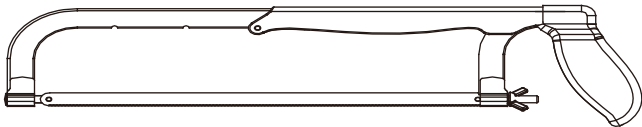
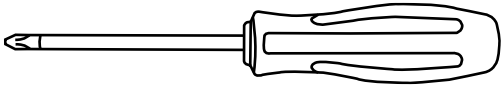


 Style may vary

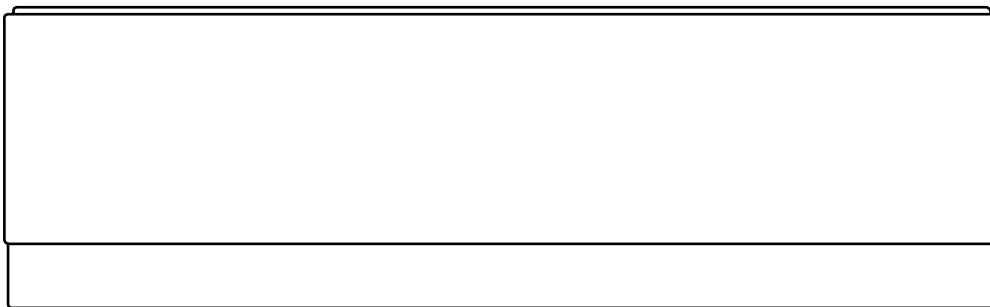
Installation Guide

Installation

Tools required for installing:

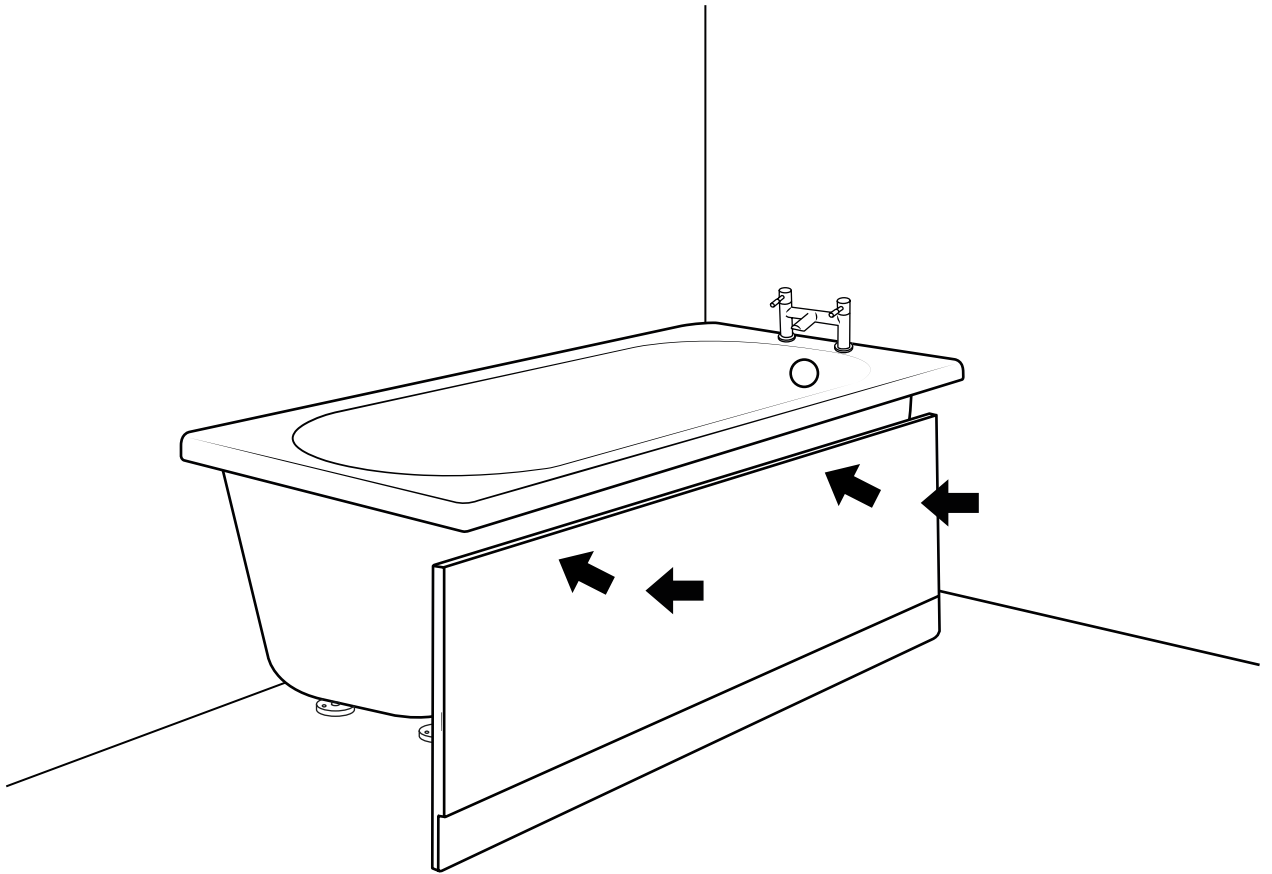


Parts included:

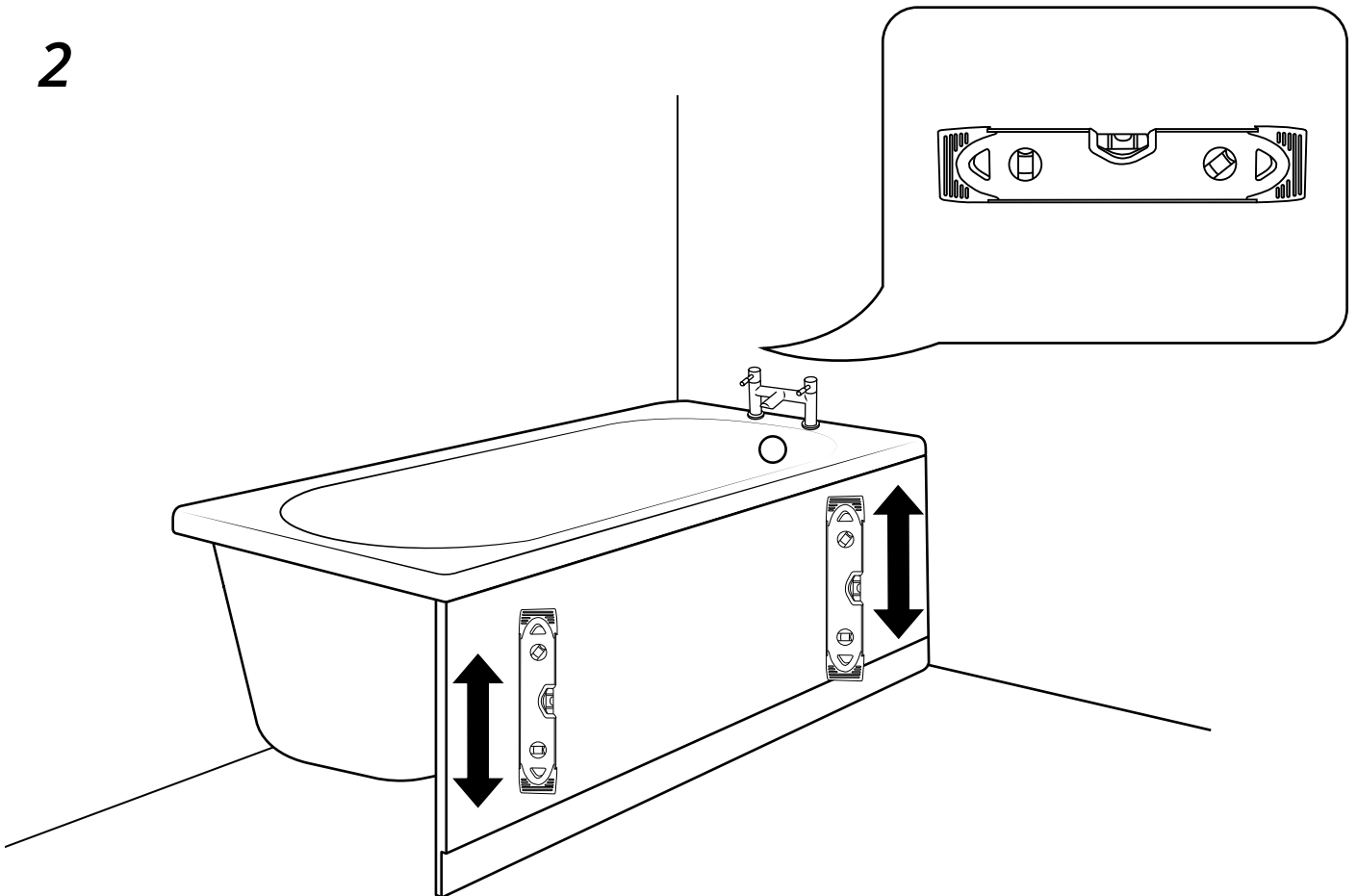


Optional End Panel

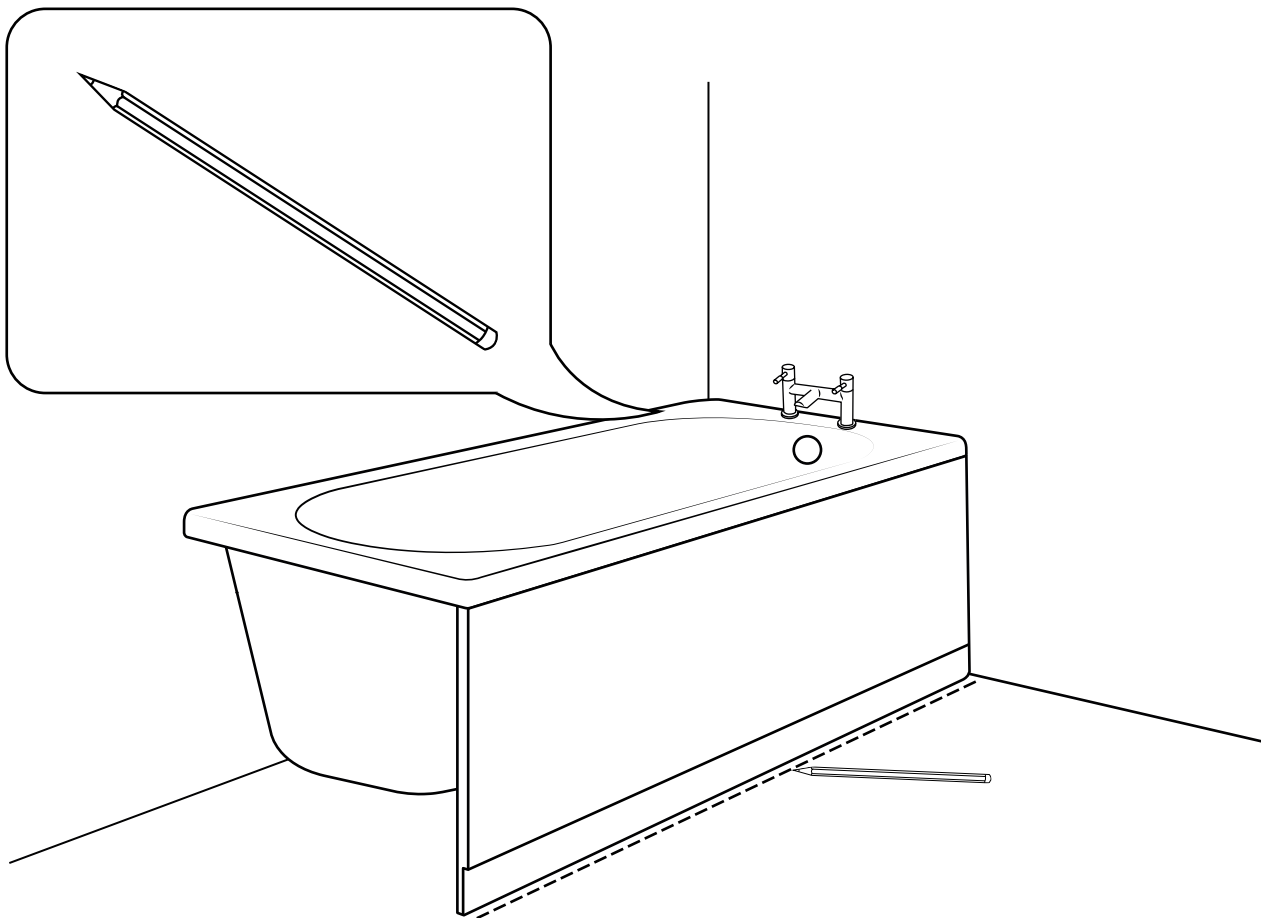
1



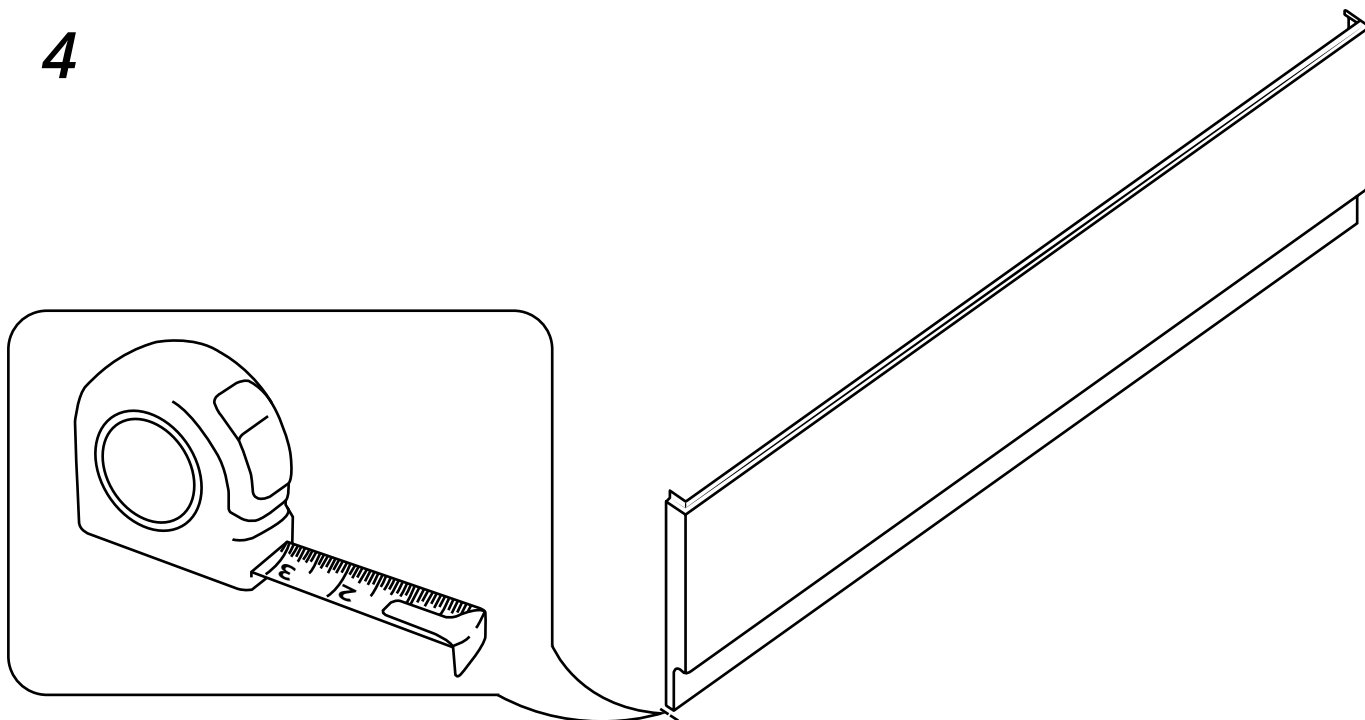
2



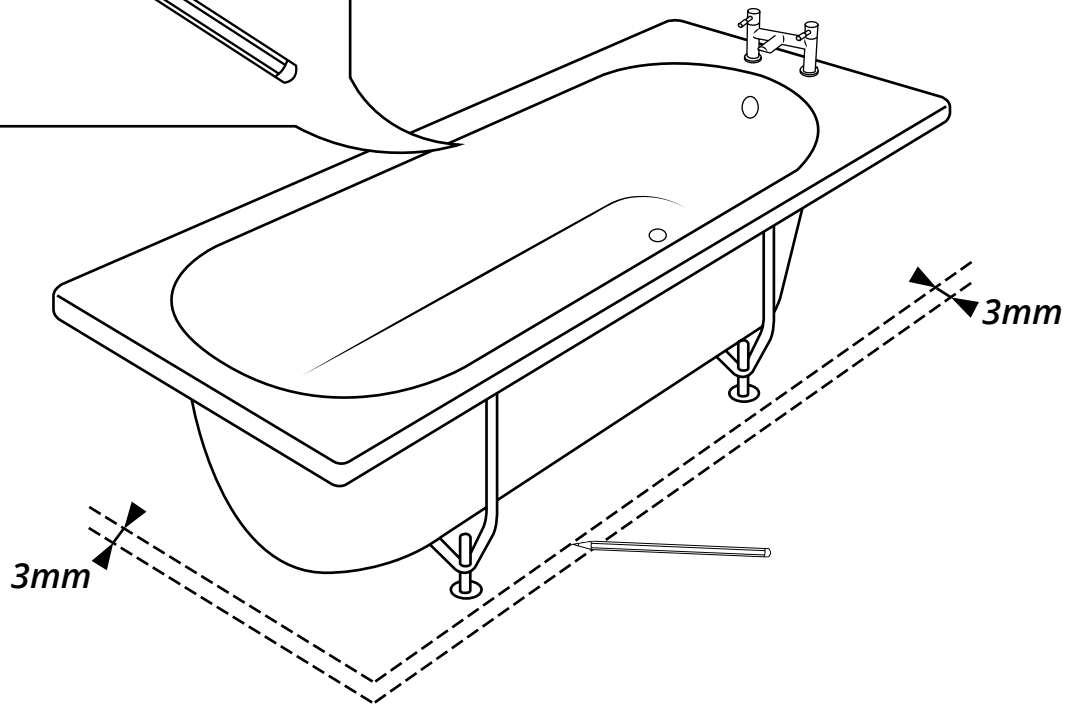
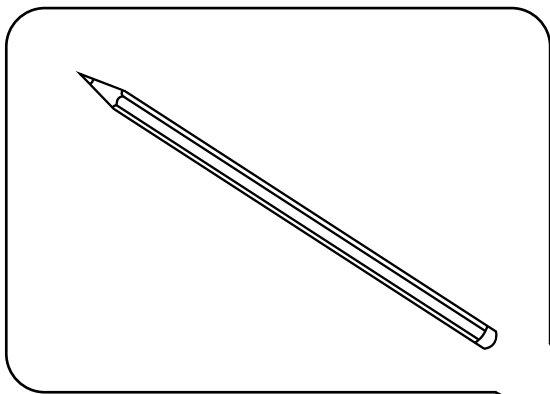
3



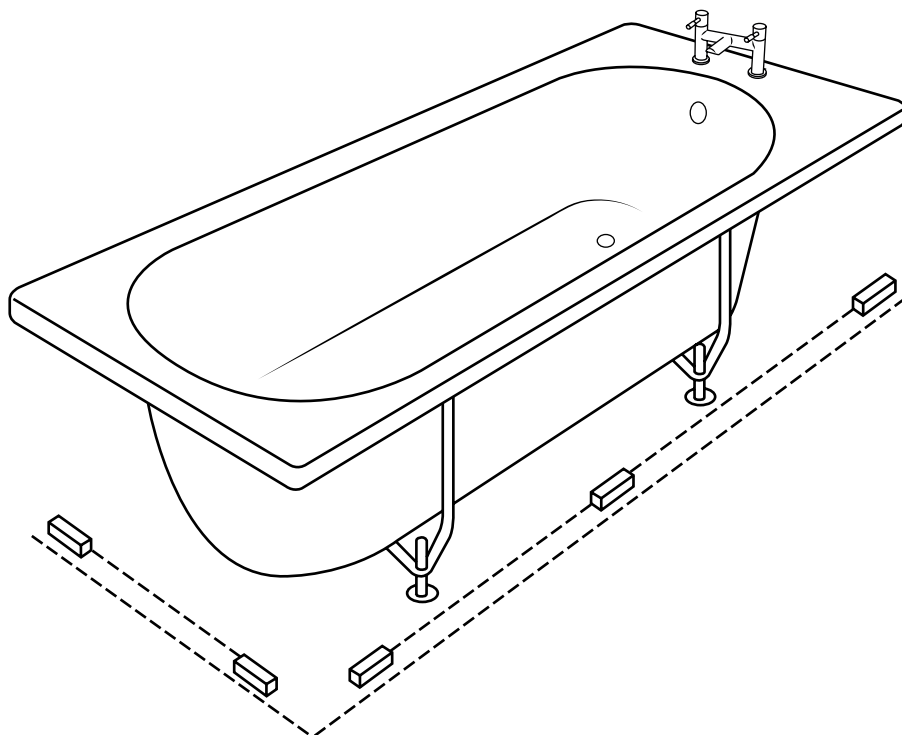
4



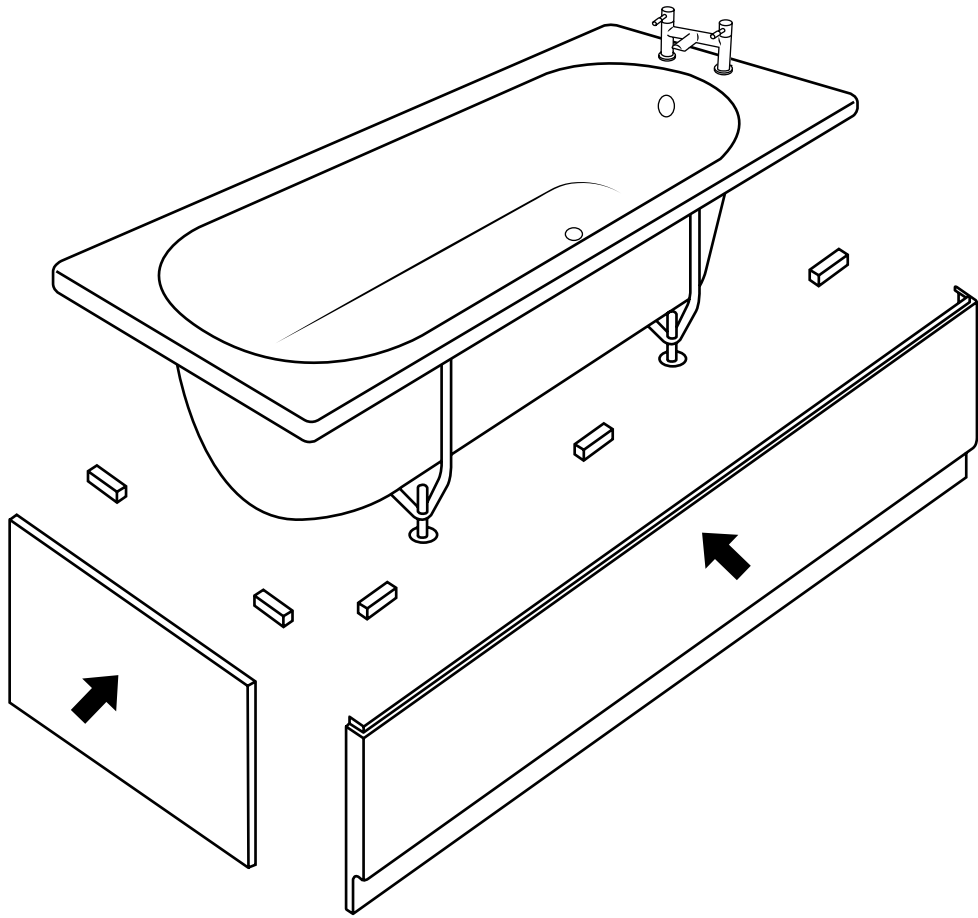
5



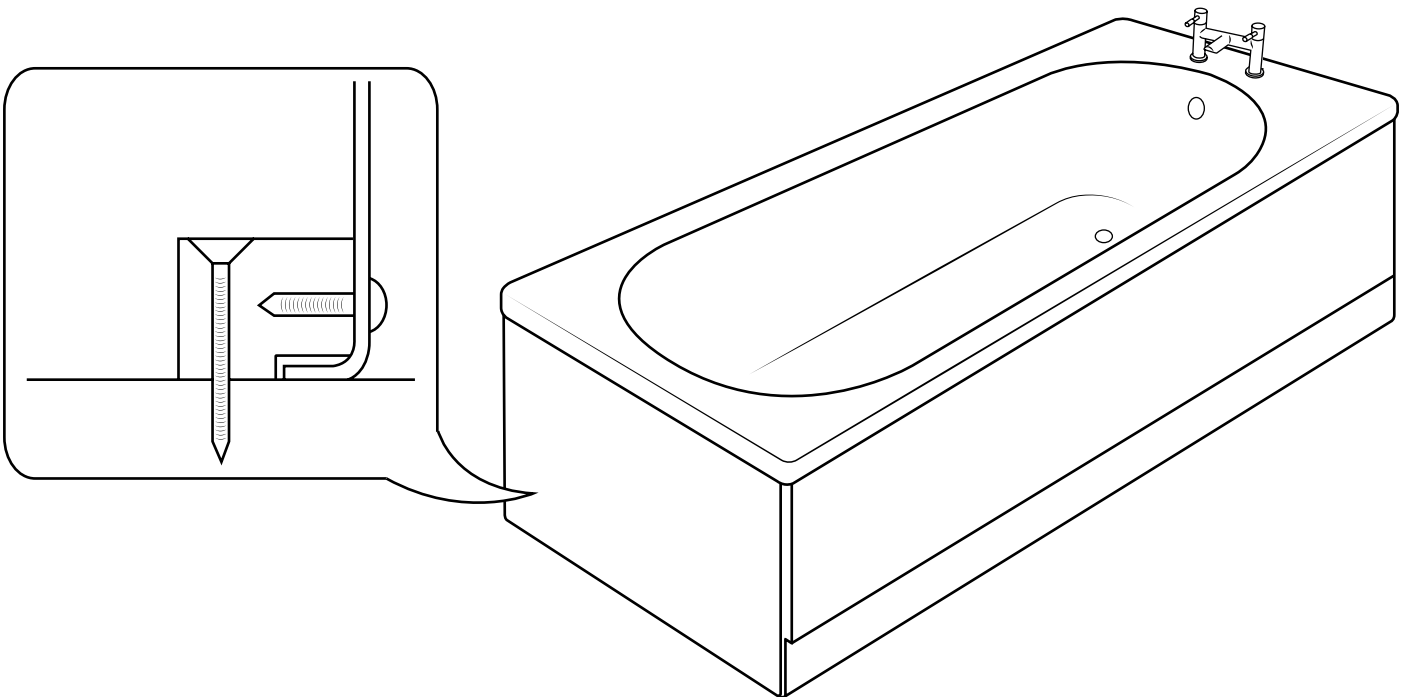
6



7



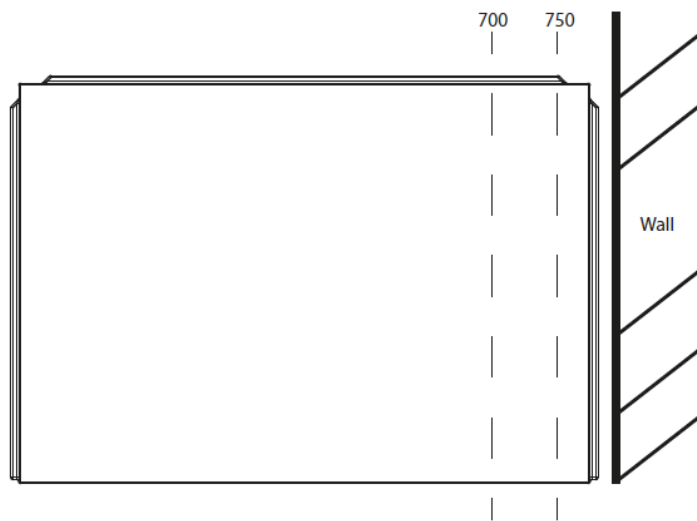
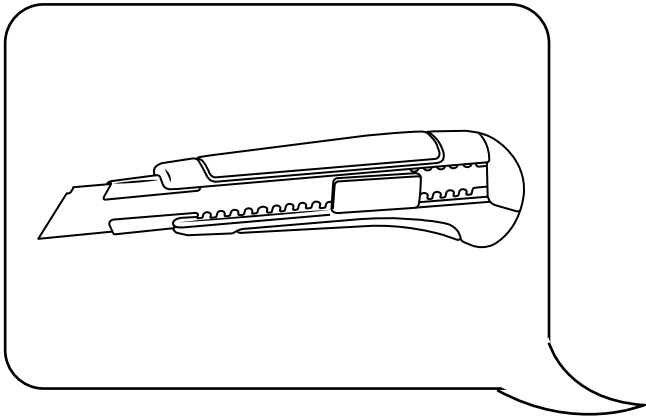
8



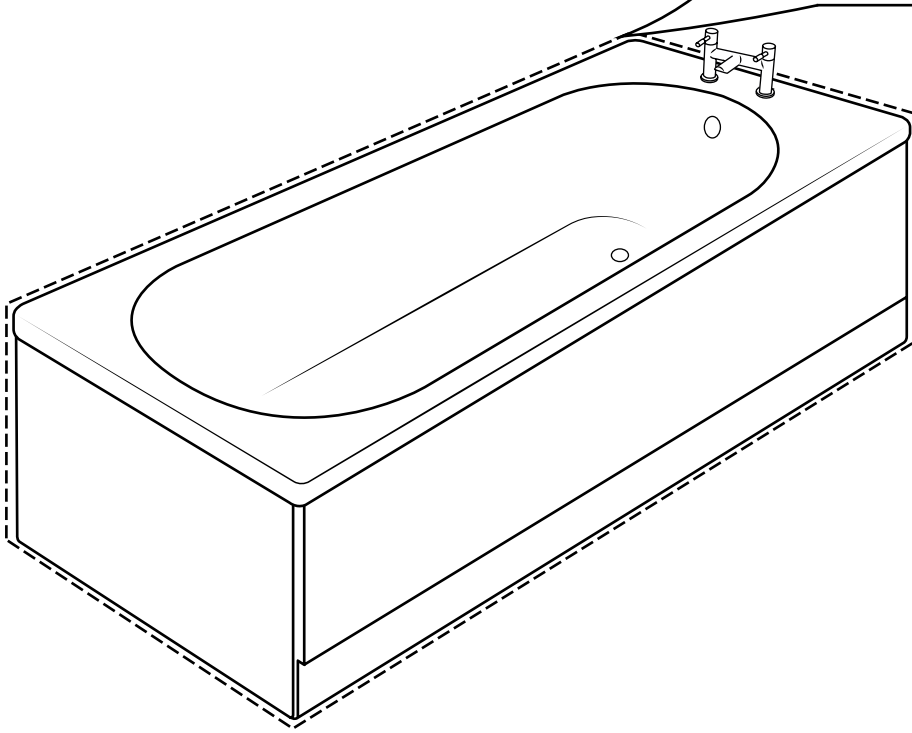
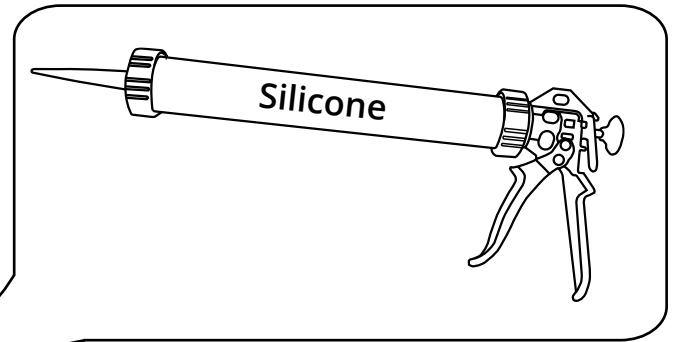
9

To create a 700 or 750mm finish, trim the end panel to suit at the wall side using a small fine toothed saw or sharp knife.

It is recommended that sizes are checked prior to cutting and fitting to prevent mistakes from occurring.



10



11

