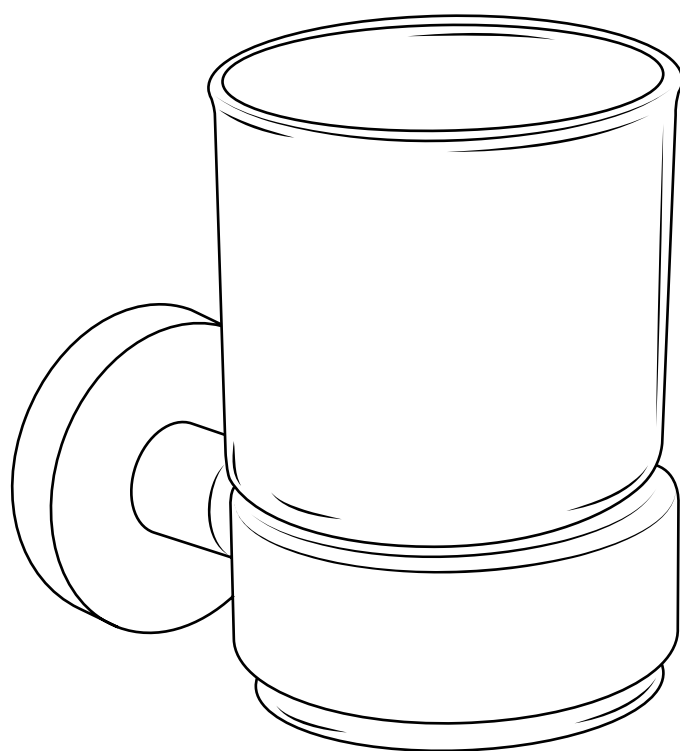


Milano

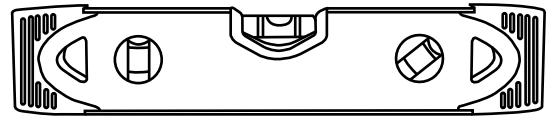
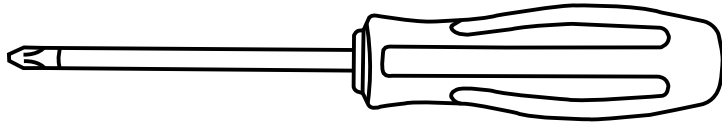
Tumbler Holder



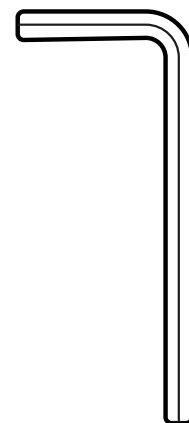
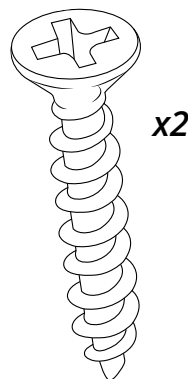
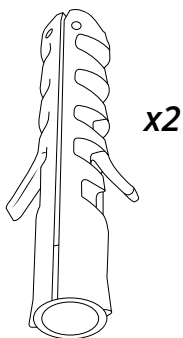
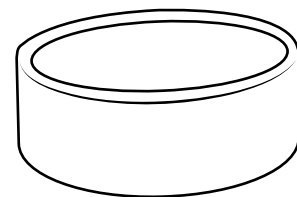
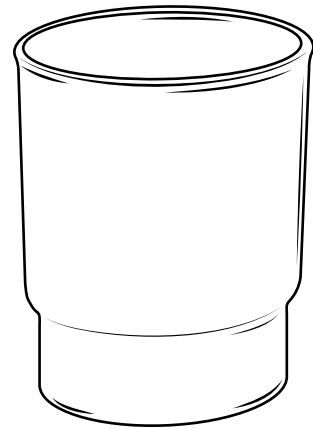
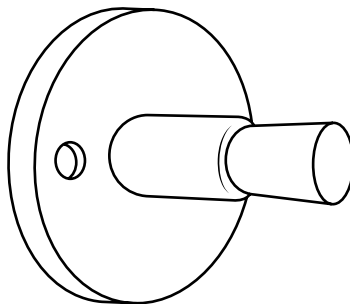
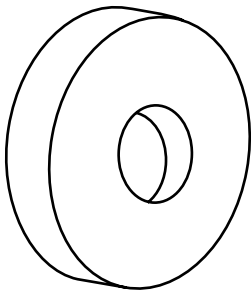
Installation Guide

Installation

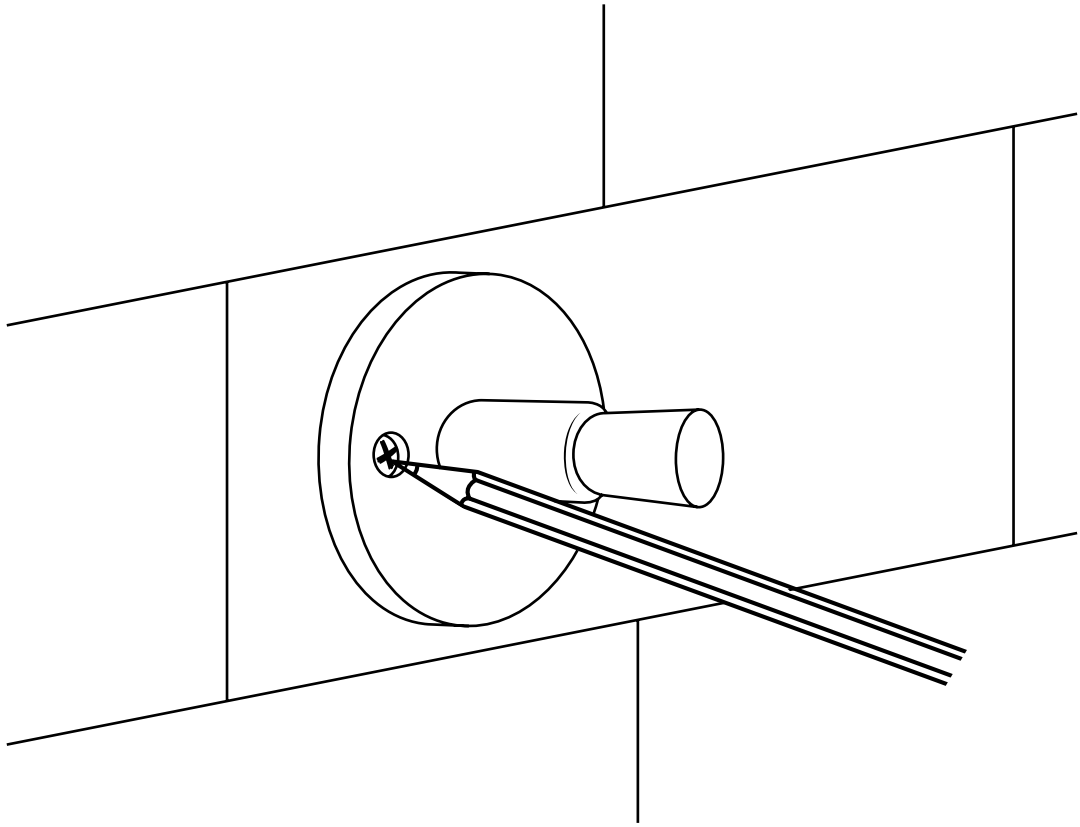
Tools required for installing:



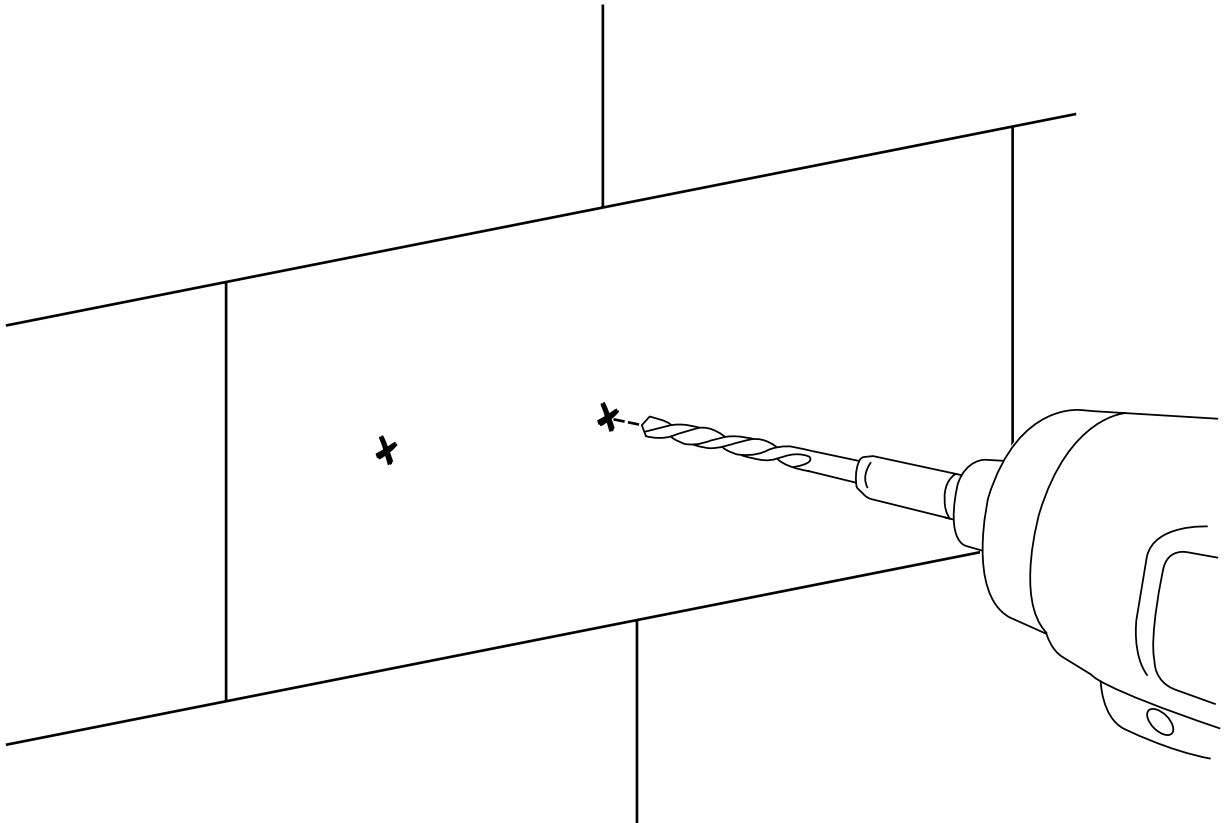
Parts included:



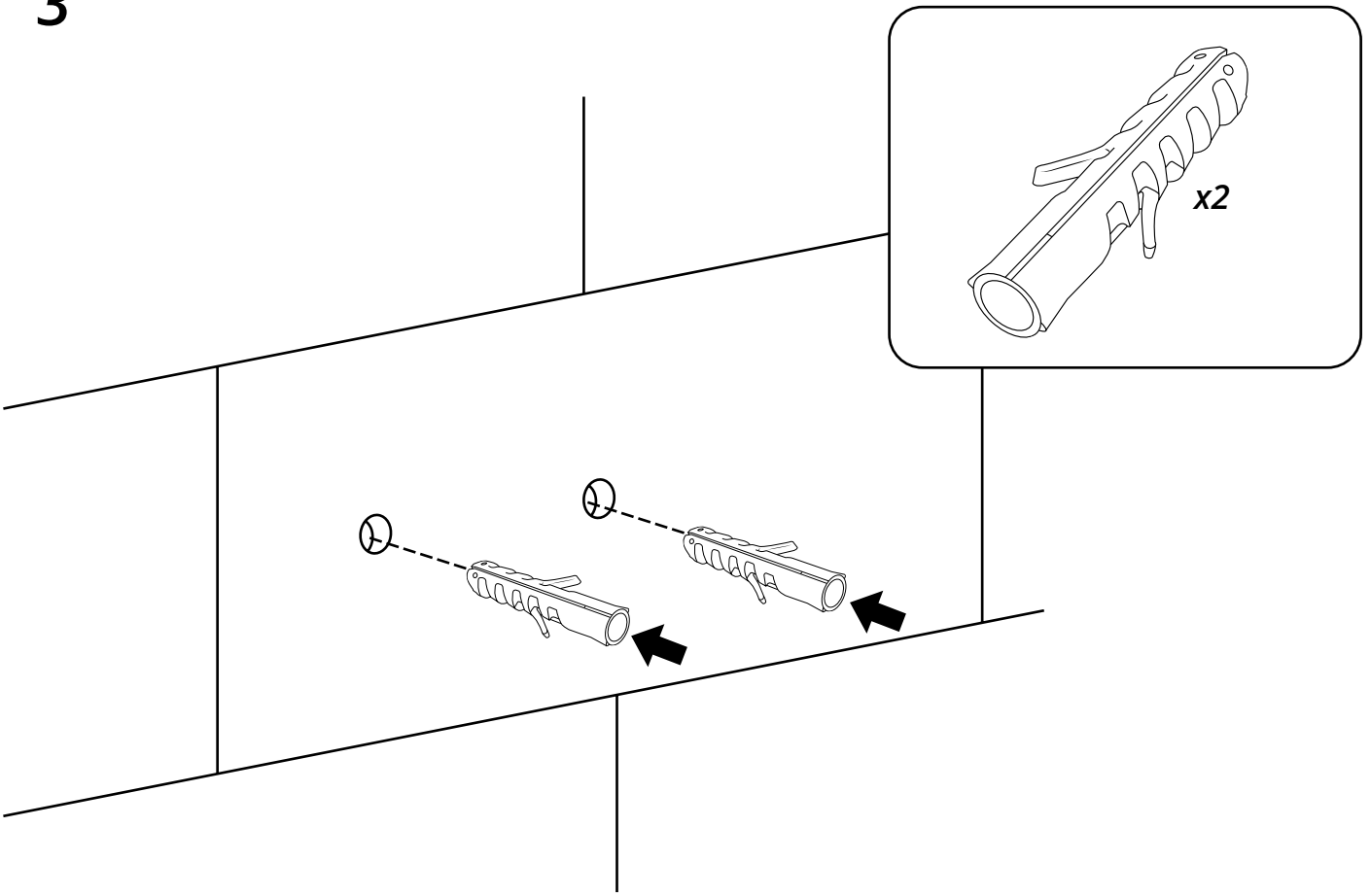
1



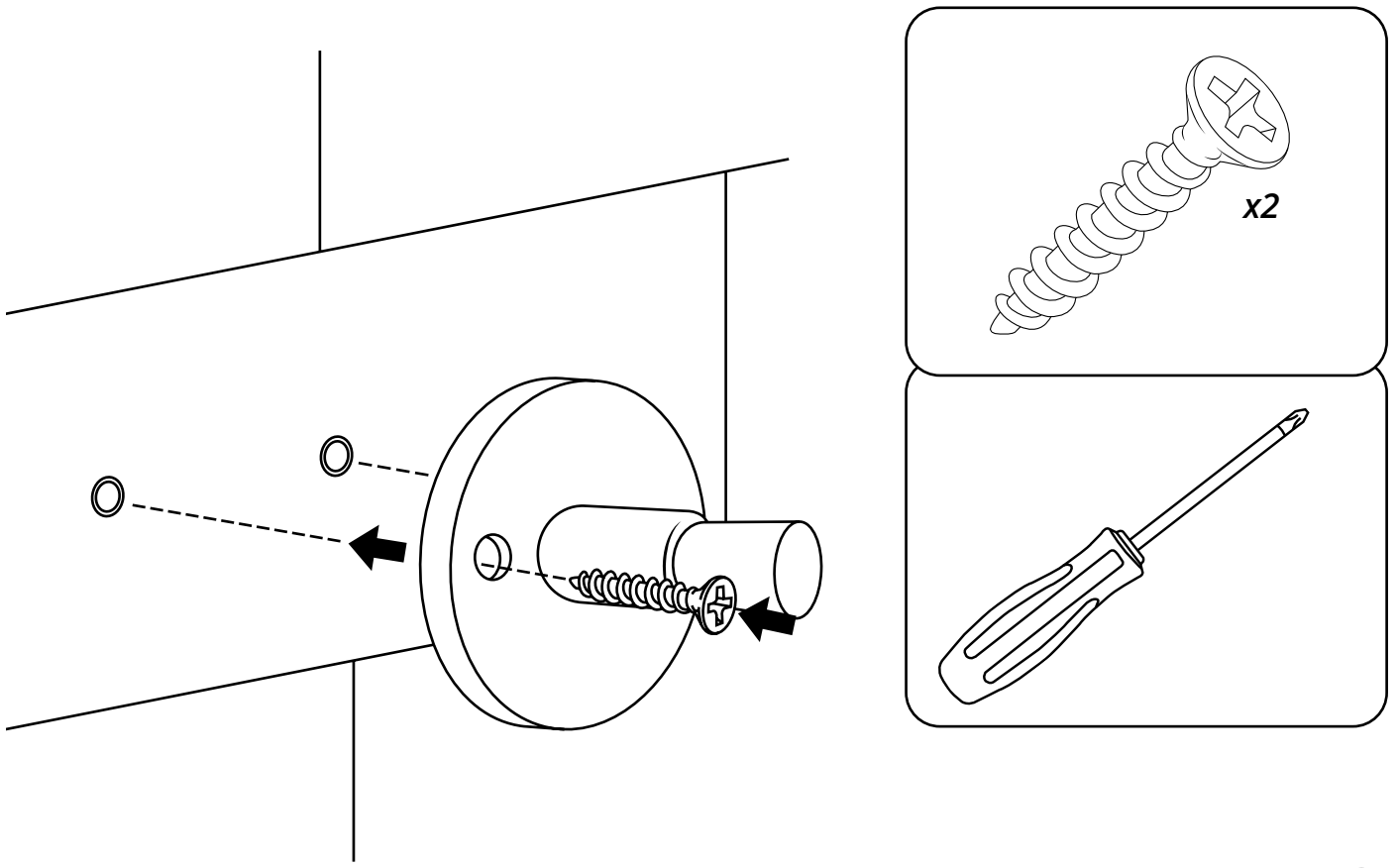
2



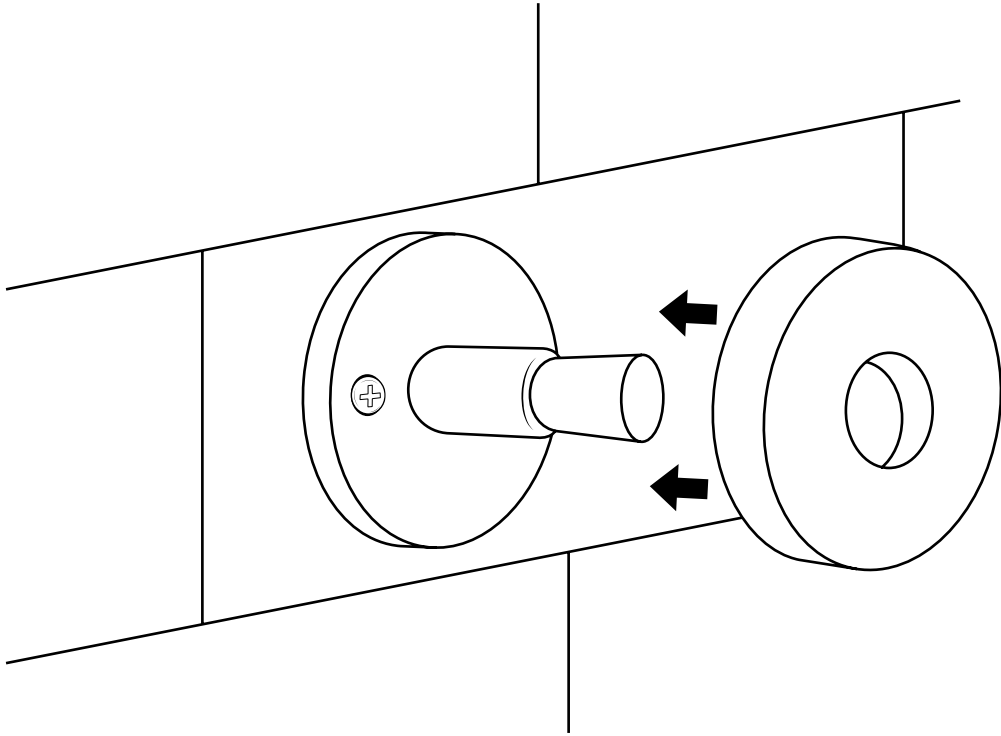
3



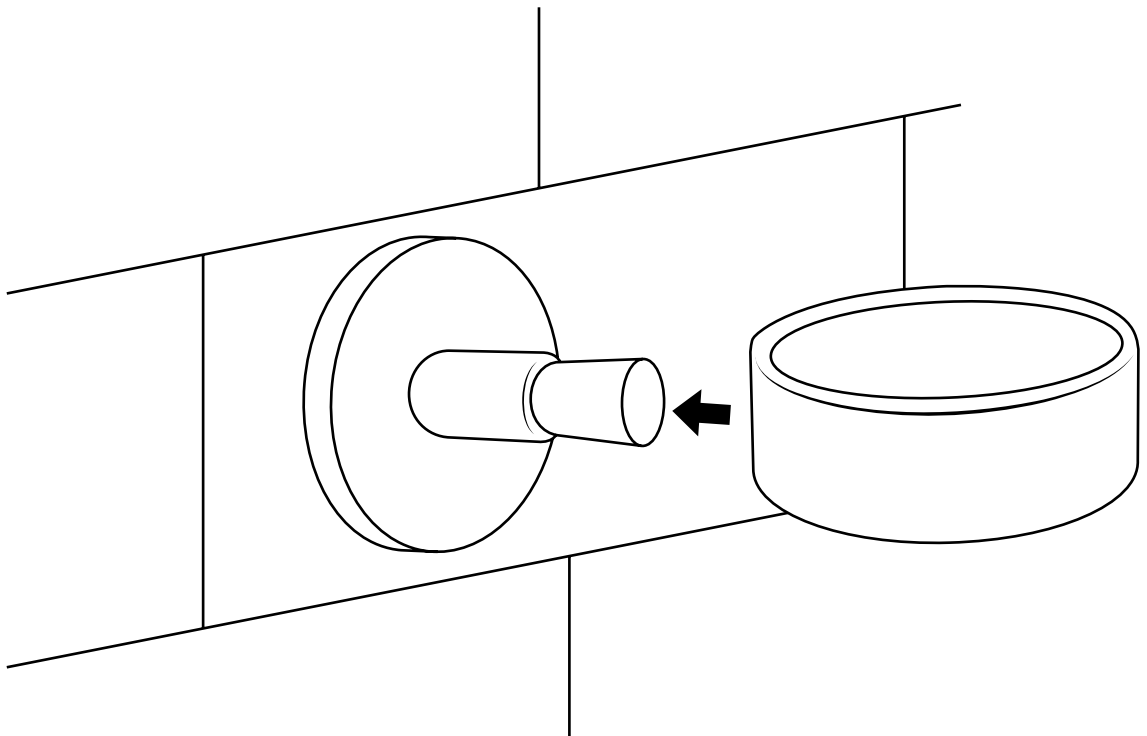
4



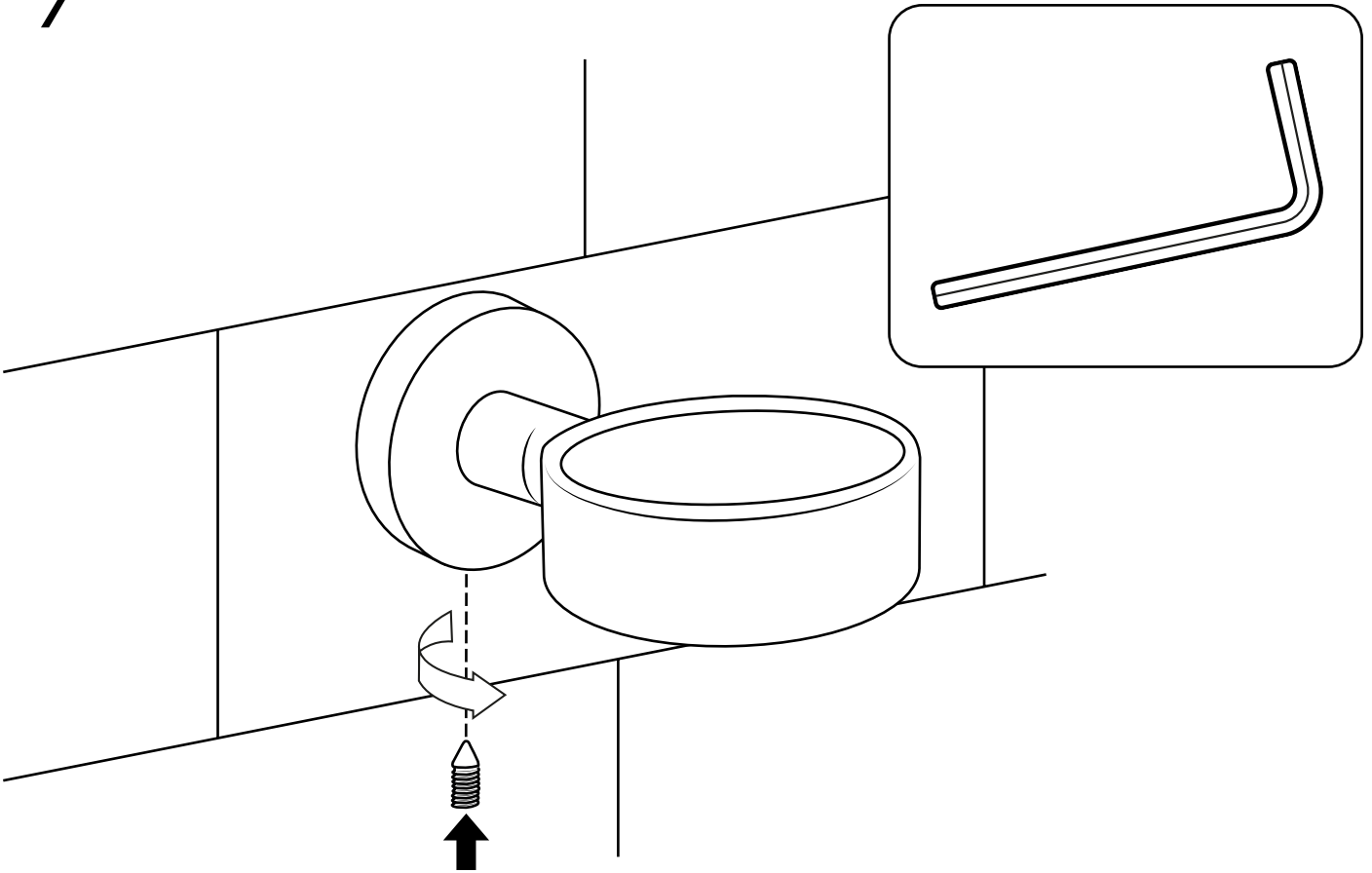
5



6



7



8

